



Ceiling Fan Installation Manual



93114640_A

P250006

Limited Lifetime Warranty

Progress Lighting fan motors are warranted to the original purchaser to be free of electrical and/or mechanical defects for so long as the original purchaser owns the fan. Pull chain switches, reverse switches, capacitors and metal finishes are warranted to be free from defects in materials or workmanship for a period of 1 year from the date of purchase. Warping of wooden or plastic blades is not covered by this warranty nor is corrosion and/or deterioration of any finishes for fans installed within ten miles of any sea coast. Extended warranties for ENERGY STAR® qualified products may apply.

Progress Lighting ceiling fans with built-in LED light sources, when properly installed and under normal conditions of use, are warranted to be free from defects in material and workmanship which cause the light sources to fail to operate in accordance with the specifications for (i) five (5) years from the date of purchase on the LED Light modules and electrical components for fans used in single family residences, and (ii) three (3) years from the date of purchase on the LED Light modules and electrical components for fans used in multi-family or commercial applications. LED bulbs supplied by Progress Lighting carry no warranty other than manufacturer's warranty. Non-LED bulbs carry no warranty.

With proof of purchase, the original purchaser may return the defective fan to the place of purchase during the first 30 days for replacement. After 30 days, the original purchaser MUST contact Progress Lighting at (864) 678-1000 for repair or replacement which shall be determined in Progress Lighting's sole discretion and shall be purchaser's sole and exclusive remedy.

Labor and Shipping Excluded. This warranty does not cover any costs or fees associated with the labor (including, but not limited to, electrician's fees) required to install, remove, or replace a fan or any fan parts.

This warranty shall not apply to any loss or damage resulting from (i) normal wear and tear or alteration, misuse, abuse or neglect, or (ii) improper installation, operation, repair or maintenance by original purchaser or a third party, including without limitation improper voltage supply or power surge, use of improper parts or accessories, unauthorized repair (made or attempted) or failure to provide maintenance to the fan.

THE FOREGOING WARRANTIES STATE PROGRESS LIGHTING'S ENTIRE WARRANTY OBLIGATION AND ORIGINAL PURCHASER'S SOLE AND EXCLUSIVE REMEDY RELATED TO SUCH PRODUCTS. PROGRESS LIGHTING IS NOT RESPONSIBLE FOR DAMAGES (INCLUDING INDIRECT, SPECIAL, INCIDENTAL OR CONSEQUENTIAL), DUE TO PRODUCT FAILURE, WHETHER ARISING OUT OF BREACH OF WARRANTY, BREACH OF CONTRACT, OR OTHERWISE. THIS WARRANTY IS GIVEN IN LIEU OF ALL OTHER WARRANTIES, WHETHER EXPRESSED OR IMPLIED, INCLUDING THOSE OF MERCHANTABILITY, FITNESS FOR A PARTICULAR PURPOSE OR NONINFRINGEMENTMENT.

Some states do not allow limitations on how long an implied warranty lasts or the exclusion or limitations of incidental or consequential damages, so the above limitations and exclusions may not apply to you. This warranty gives you specific rights and you may have other rights which vary from state to state.

Date Purchased _____

Store Purchased _____

Model No. _____

Serial No. _____

Vendor No. _____ 109226

785247242412

UPC 785247240845



Safety Rules.....	1.
Unpacking Your Fan	2.
Installing Your Fan	3.
Attaching the Fan Blades.....	6.
Installing the Decorative Cover.....	7.
Operating Your Transmitter	8.
Care of Your Fan	10.
Troubleshooting	11.
Specifications	12.

Table of Contents

1. To reduce the risk of electric shock, ensure electricity has been turned off at the circuit breaker or fuse box before beginning.
2. All wiring must be in accordance with the National Electrical Code “ANSI/NFPA 70-1999” and local electrical codes. Electrical installation should be performed by a qualified licensed electrician.
3. The outlet box and support structure must be securely mounted and capable of reliably supporting a minimum of 35 lbs (15.9 kg) or less. Use only cUL-listed outlet boxes marked “FOR FAN SUPPORT.”
4. The fan must be mounted with a minimum of 7 ft. (2.1m) clearance from the trailing edge of the blades to the floor.
5. Avoid placing objects in the path of the blades.
6. To avoid personal injury or damage to the fan and other items, be cautious when working around or cleaning the fan.
7. Do not use water or detergents when cleaning the fan or fan blades. A dry dust cloth or lightly dampened cloth will be suitable for most cleaning.
8. After making electrical connections, spliced conductors should be turned upward and pushed carefully up into the outlet box. The wires should be spread apart with the grounded conductor and the equipment-grounding conductor on one side of the outlet box and ungrounded conductor on the other side of the outlet box.
9. All set screws must be checked and retightened where necessary before installation.
10. Suitable for use with solid-state speed control.

WARNING

TO REDUCE THE RISK OF PERSONAL INJURY, DO NOT BEND THE BLADE ARMS (ALSO REFERRED TO AS FLANGES), WHEN INSTALLING THE BRACKETS, BALANCING THE BLADES OR CLEANING THE FAN. DO NOT INSERT FOREIGN OBJECTS IN – BETWEEN ROTATING FAN BLADES.

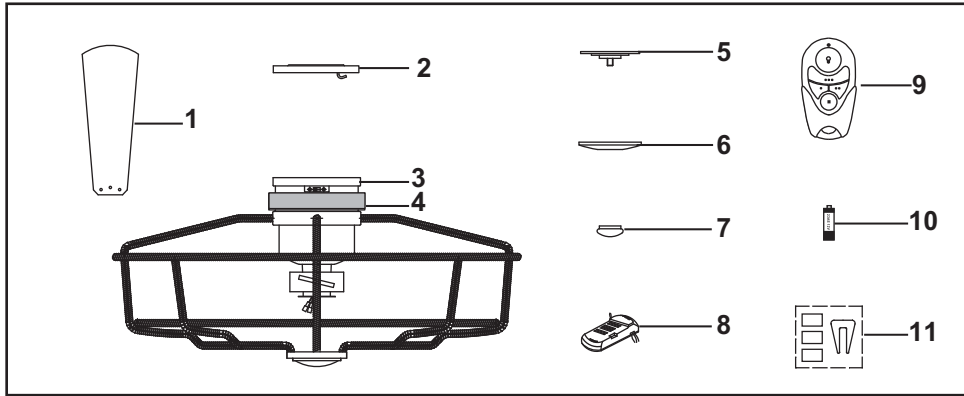
WARNING

TO REDUCE THE RISK OF FIRE, ELECTRIC SHOCK, OR OTHER PERSONAL INJURY, MOUNT FAN ONLY ON AN OUTLET BOX OR SUPPORTING SYSTEM MARKED ACCEPTABLE FOR FAN SUPPORT OF 35 LBS (15.9 KG) OR LESS AND USE MOUNTING SCREWS PROVIDED WITH THE OUTLET BOX. MOST OUTLET BOXES COMMONLY USED FOR THE SUPPORT OF LIGHTING FIXTURES ARE NOT ACCEPTABLE FOR FAN SUPPORT AND MAY NEED TO BE REPLACED. CONSULT A QUALIFIED ELECTRICIAN IF IN DOUBT.

NOTE

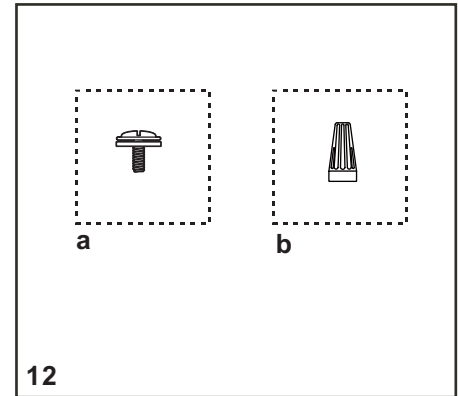
READ AND SAVE THESE INSTRUCTIONS

1. Safety Rules



Unpack your fan and check the contents. You should have the following items:

- | | |
|-----------------------|---|
| 1. Set of blades (4) | 7. Nut |
| 2. Mounting bracket | 8. Receiver with 6 wire nuts |
| 3. Fan motor assembly | 9. Transmitter incl. holder + 2 mounting screws |
| 4. Decorative ring | 10. 12V battery |
| 5. Decorative cover | 11. Balancing kit |
| 6. Decorative cap | |



12

12. Loose parts bag containing:

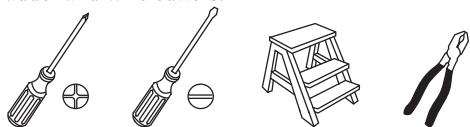
- a. Blade attachment hardware**
(13 screws, 13 fiber washers)
- b. Mounting hardware**
Wire nuts (3)

Unpacking Your Fan 2.

Installing Your Fan

Tools Required

Phillips screwdriver, straight slot screwdriver, step ladder and wire cutters.



Mounting Options

If there isn't an existing cUL listed mounting box, then read the following instructions. Disconnect the power by removing fuses or turning off circuit breakers.

Secure the outlet box directly to the building structure. Use appropriate fasteners and building materials. The outlet box and its support must be able to fully support the moving weight of the fan (at least 35 lbs). Do not use plastic outlet boxes.

WARNING

TO REDUCE THE RISK OF FIRE, ELECTRIC SHOCK OR PERSONAL INJURY, MOUNT FAN ONLY TO AN OUTLET BOX MARKED ACCEPTABLE FOR FAN SUPPORT AND USE THE MOUNTING SCREWS PROVIDED WITH THE OUTLET BOX. OUTLET BOX COMMONLY USED FOR THE SUPPORT OF LIGHTING FIXTURE MAY NOT BE ACCEPTABLE FOR FAN SUPPORT AND MAY NEED TO BE REPLACED. CONSULT A QUALIFIED ELECTRICIAN IF IN DOUBT.

Figures 1&2 are examples of different ways to mount the outlet box.

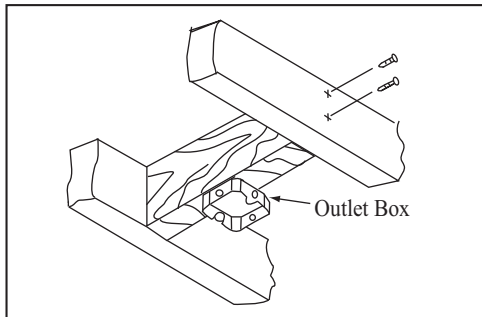


Figure 1

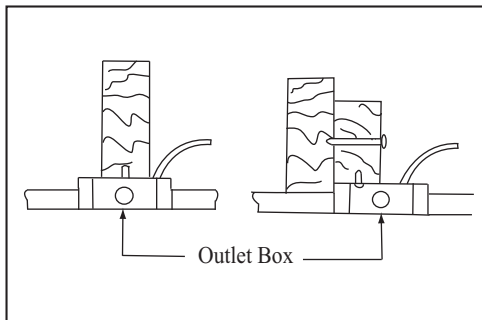


Figure 2

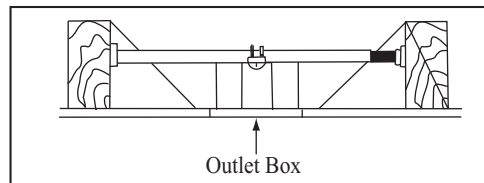


Figure 3

To hang your fan where there is an existing fixture but no ceiling joist, you may need an installation hanger bar as shown in Figure 3 (available at your Progress Lighting Retailer).

Hanging the Fan

REMEMBER to turn off the power. Follow the steps below to hang your fan properly.

1. Attach the mounting bracket to the outlet box with two screws and washers provided with the outlet box. Make sure the bracket is tight and secured (Fig. 4).
2. Remove the bottom guard by remove the four screws from fan guard. (Fig. 5)
3. Lift fan into position by hanging the motor assembly onto the hook from the ceiling mounting bracket allowing it to hang freely (Fig. 6).
4. Secure the safety cable to the building structure with a wood screw. (wood screw not supplied) (Fig. 6)

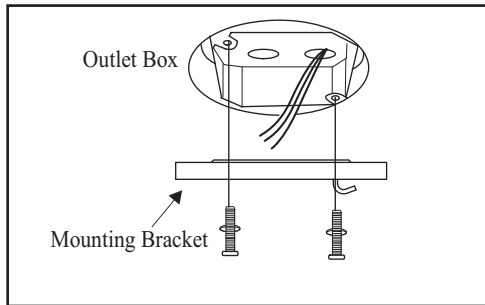


Figure 4

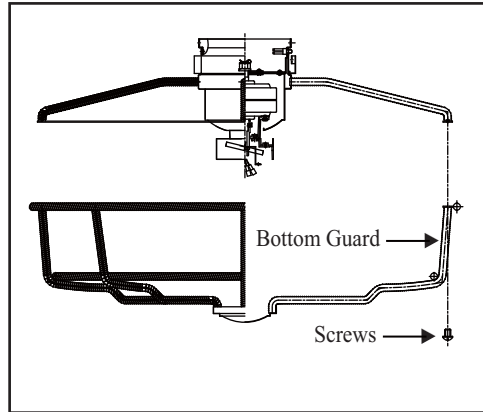


Figure 5

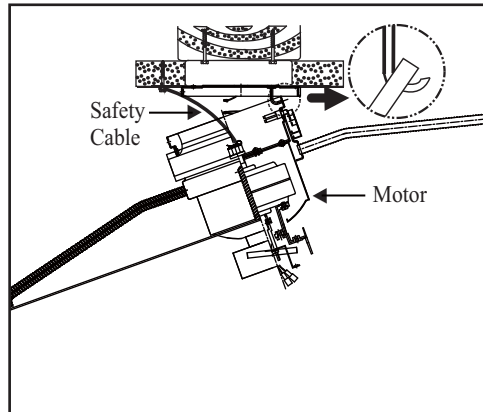


Figure 6

Making the Electrical Connections

NOTE

TO AVOID POSSIBLE ELECTRICAL SHOCK, BE SURE ELECTRICITY IS TURNED OFF AT THE MAIN FUSE BOX BEFORE WIRING.

NOTE

FAN MUST BE INSTALLED AT A MAXIMUM DISTANCE OF 20 FEET FROM THE TRANSMITTING UNIT FOR PROPER SIGNAL TRANSMISSION BETWEEN THE TRANSMITTING UNIT AND THE FAN'S RECEIVING UNIT.

If you feel you do not have enough electrical wiring knowledge or experience, have your fan installed by a licensed electrician.

This remote control unit is equipped with 16 code combinations to prevent possible interference from or to other remote units. The frequency switches on your receiver and remote control have been preset at the factory. Please recheck to make sure the switches on the remote control and the receiver are set to the same position. Any combination of settings will operate the fan as long as the switches in the remote control and receiver are set to the same position. (Figure 7)

1. (Figure 8) Motor to receiver electrical connections: Connect the black wire from the fan to black wire marked "TO MOTOR L". Connect the white wire from the fan to the white wire marked "TO MOTOR N" from the receiver. Connect the blue wire from the fan to the blue wire marked "For Light" from the receiver. Secure the wire connections with the plastic wire connecting nuts provided.

CAUTION
DO NOT USE WITH A WALL LIGHT DIMMER SWITCH.

WARNING
CHECK TO SEE THAT ALL CONNECTIONS ARE TIGHT, INCLUDING GROUND, AND THAT NO BARE WIRE IS VISIBLE AT THE WIRE NUTS, EXCEPT FOR THE GROUND WIRE.

2. (Figure 8) Receiver to house supply wires electrical connections: Connect the black (hot) wire from the ceiling to the black wire marked "AC in L" from the receiver. Connect the white (neutral) wire from the ceiling to the white wire marked "AC in N" from the receiver. Secure the wire connections with the plastic wire connecting nuts provided.

3. (Figure 8) If your outlet box has a ground wire (green or bare copper) connect it to the fan ground wires; otherwise connect the hanging bracket ground wire to the mounting bracket. Secure the wire connection with a plastic nut provided. After connecting the wires spread them apart so that the green and white wires are on one side of the outlet box and black and blue wires are on the other side. Carefully tuck the wire connections up into the outlet box.

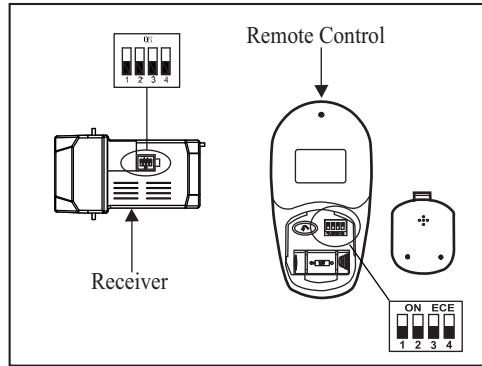


Figure 7

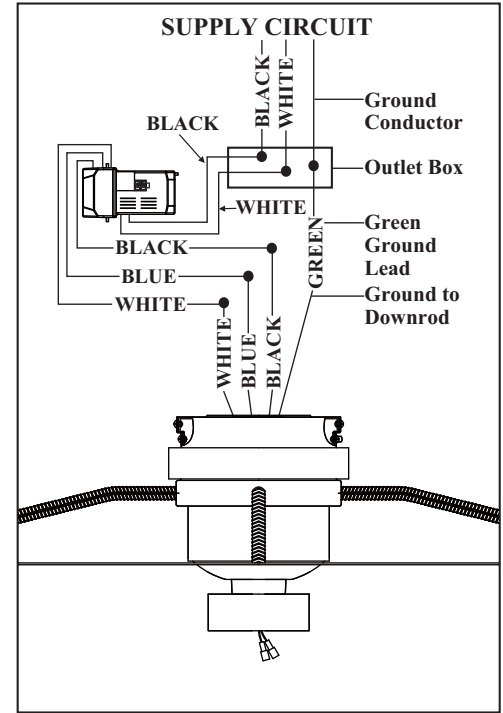


Figure 8

Finishing the Fan Installation

1. Move fan into position over the mounting bracket and secure with the 4 screws provided. (Fig. 9)
2. Raise the decorative ring up against the mounting bracket, the four supports inside the decorative ring should be placed against the four studs on mounting bracket, twist the decorative ring clockwise until snug (Fig. 10).

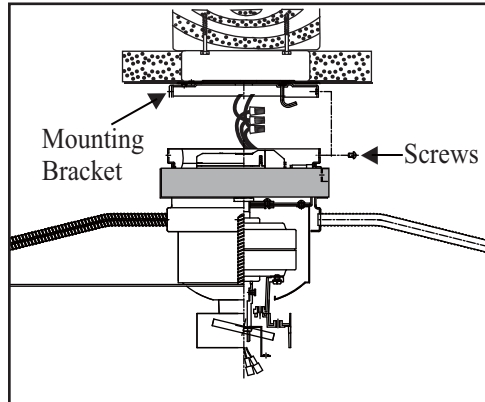


Figure 9

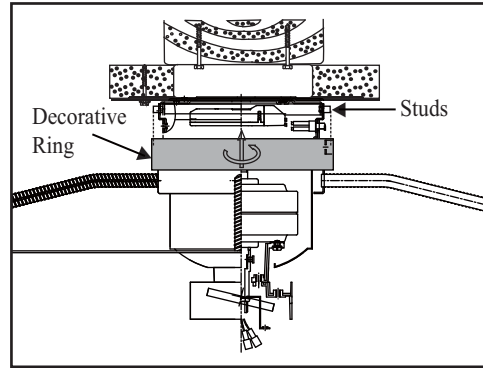


Figure 10

Attaching the Fan Blades

1. Insert the blade through the slot in the blade holder. Align the holes in the blade and the fan blade holder and secure with a the screw and fiber washer. (Fig. 11)
2. Tighten each screw securely starting with the center screw. Make sure the blade is straight. Repeat steps for the remaining blades.

WARNING: TO REDUCE THE RISK OF PERSONAL INJURY, DO NOT BEND THE BLADE WHILE INSTALLING, BALANCING THE BLADES, OR CLEANING THE FAN. DO NOT INSERT FOREIGN OBJECTS BETWEEN ROTATING FAN BLADES.

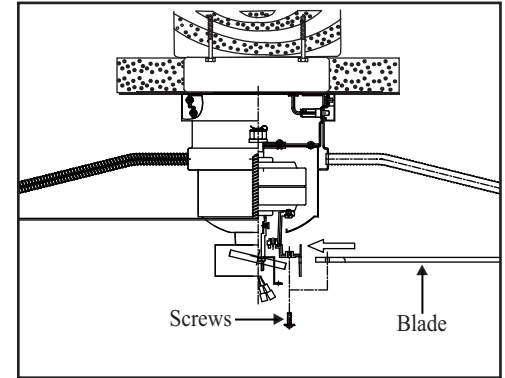


Figure 11

CAUTION: Before starting installation, disconnect the power by turning off the circuit breaker or removing the fuse at fuse box. Turning power off using the fan switch is not sufficient to prevent electric shock.

1. Remove the 1 of 3 screws from the posts of the mounting ring and keep it for future use. Loosen the other 2 screws. (Do not remove)
2. Place the key holes in the decorative cover over the two screws previously loosened from the mounting ring. Turn the decorative cover until the decorative cover locks in place at the narrow section of the key holes. (Fig. 13)
3. Securely tighten the two mounting screws previously loosened and the one previously removed.
4. Fit the decorative cap onto the decorative cover and secure with the nut provided.
5. Re-Install the bottom guard back to the fan guard.

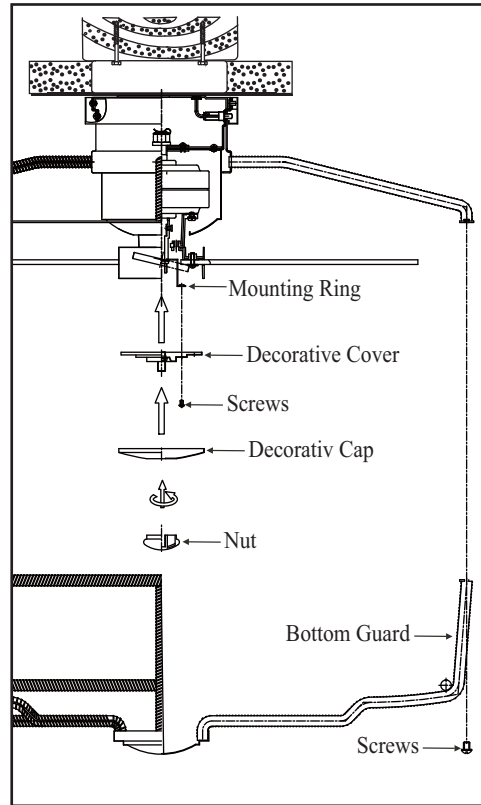


Figure 13

Installing the battery

Install **12V** battery (included), to prevent damage to transmitter, remove the battery if not used for long periods. (Fig. 14)

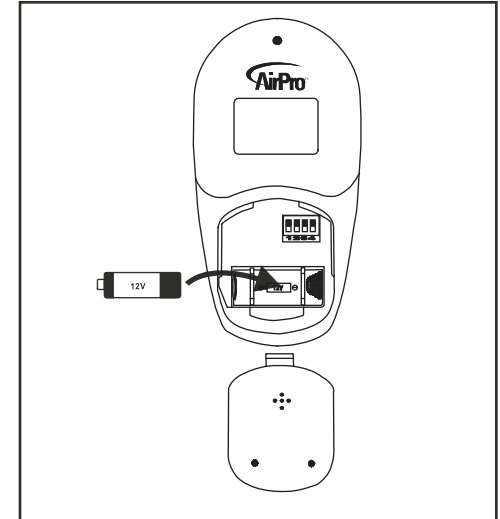


Figure 14


7. *Installing the Decorative Cover*


Restore power to ceiling fan and test for proper operation.

1. " ●, ●●, ●●● " buttons:

These three buttons are used to set the fan speed as follows:

- = Low speed
- = Medium speed
- = High speed

2. The "  " button turns the light ON or OFF and also controls the brightness setting. Press and release the button to turn the light ON or OFF. Press and hold the button to set the desired brightness. The light key has an auto-resume, it will stay at the same brightness as the last time it was turned off.

3. "  " button: This button turns the fan off.

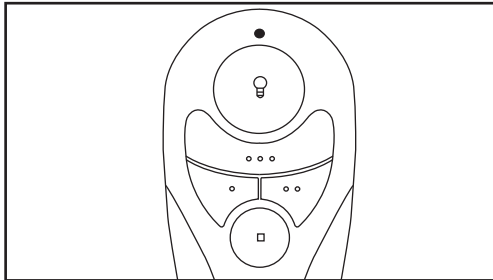


Figure 15

Speed settings for warm or cool weather depend on factors such as the room size, ceiling height, number of fans, etc.

The reverse switch is located on the top of motor housing. Slide the switch to the left for warm weather operation. Slide the switch to the right for cool weather operation.

NOTE

WAIT FOR FAN TO STOP BEFORE CHANGING THE SETTING OF THE SLIDE SWITCH.

Warm weather - (Counter-Clockwise direction) A downward air flow creates a cooling effect. (Fig. 16) This allows you to set your air conditioner on a higher setting without affecting your comfort.

Cool weather - (Clockwise direction) An upward airflow moves warm air off the ceiling area. (Fig. 17) This allows you to set your heating unit on a lower setting without affecting your comfort.

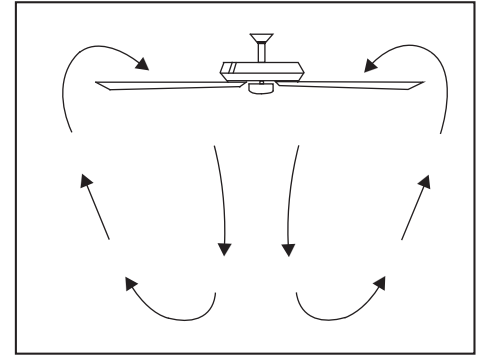


Figure 16

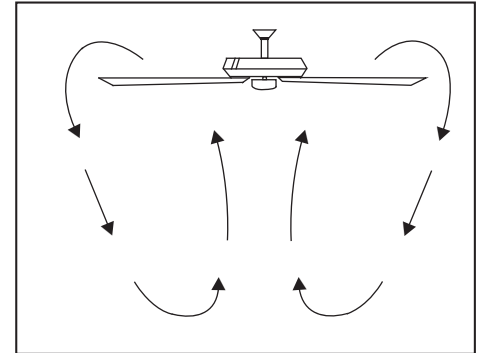


Figure 17

Operating Your Transmitter 8.

Installing the Remote Control Holder

Attach the remote control holder with the remote control holder mounting screw. (Figure 18)

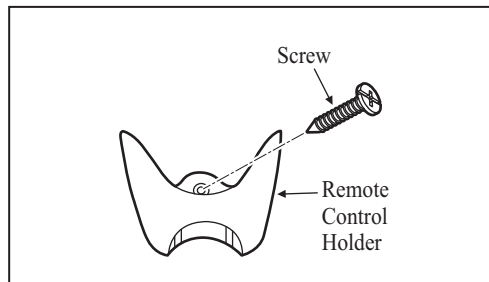


Figure 18

Blade balancing

All blades are grouped by weight. Because natural woods vary in density, the fan may wobble even though the blades are weighed equally.

The following procedure should correct most fan wobbling problems. Check after each step.

1. Check that all blade and blade arm screws are secure.
2. Most fan wobbling problems are caused when blade levels are unequal. Check this level by selecting a point on the ceiling above the tip of one of the blades. Measure this distance as shown in Fig. 19. Rotate the fan until the next blade is positioned for measurement. Repeat for each blade. The distance deviation should be equal within 1/8".
3. Use the enclosed Blade Balancing Kit if the blade wobble is still noticeable.
4. If the blade wobble is still noticeable, interchanging two adjacent (side by side) blades can redistribute the weight and possibly result in smoother operation.

WARNING

TO REDUCE THE RISK OF PERSONAL INJURY, DO NOT BEND THE BLADE HOLDERS WHILE INSTALLING, BALANCING THE BLADES, OR CLEANING THE FAN. DO NOT INSERT FOREIGN OBJECTS BETWEEN ROTATING FAN BLADES.

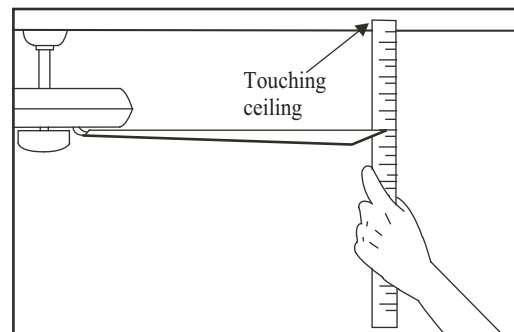


Figure 19

Here are some suggestions to help you maintain your fan

1. Because of the fan's natural movement, some connections may become loose. **Check the support connections, brackets, and blade attachments twice a year.** Make sure they are secure. **(It is not necessary to remove fan from ceiling.)**
2. Clean your fan periodically to help maintain its new appearance over the years. Use only a soft brush or lint-free cloth to avoid scratching the finish. The plating is sealed with a lacquer to minimize discoloration or tarnishing. Do not use water when cleaning. This could damage the motor, or the wood, or possibly cause an electrical shock.

3. You can apply a light coat of furniture polish to the wood blades for additional protection and enhanced beauty. Cover small scratches with a light application of shoe polish.
4. **There is no need to oil your fan.** The motor has permanently lubricated bearings.

IMPORTANT
MAKE SURE THE POWER IS OFF AT THE
ELECTRICAL PANEL BOX BEFORE YOU
ATTEMPT ANY REPAIRS. REFER TO THE
SECTION "MAKING ELECTRICAL
CONNECTIONS".

Care of Your Fan 10.

Problem

Solution

Fan will not start.

1. Check circuit fuses or breakers.
2. Check line wire connections to the fan and switch wire connections in the switch housing.
CAUTION: Make sure main power is off.
3. Check to make sure the dip switches from the transmitter and receiver are set to the same frequency.

Fan sounds noisy.

1. Make sure all motor housing screws are snug.
2. Make sure the screws that attach the fan blade bracket to the motor hub is tight.
3. Make sure wire nut connections are not rubbing against each other or the interior wall of the switch housing.
CAUTION: Make sure main power is off.
4. Allow a 24-hour "breaking-in" period. Most noise associated with a new fan disappear during this time.
5. If using an optional light kit, make sure the screws securing the lampshade are tight. Check that light bulb is also secure.
6. Some fan motors are sensitive to signals from solid-state variable speed controls. If you have installed this type of control, choose and install another type of control.
7. Make sure the upper canopy is a short distance from the ceiling. It should not touch the ceiling.

Remote control
malfunction

1. Do not connect the fan with wall mounted variable speed control (s).
2. Make sure the dip switches are set correctly.

11. Troubleshooting

Fan Size	Speed	Volts	Amps	Watts	RPM	CFM	N.W.	G.W.	C.F.
26"	Low	120	0.204	12.93	174	790.98	32.84 lbs	47.48 lbs	13.04'
	High	120	0.36	42.89	365	1766.21			

These are approximate measures. They do not include Amps and Wattage used by the light kit.

© 2019 Progress Lighting, Inc.
701 Millennium Blvd.,
Greenville, SC 29607
All Rights Reserved

Specifications 12.

Manuel d'installation du ventilateur de plafond



Garantie à vie limitée

Progress Lighting garantit à l'acheteur initial que les moteurs de ventilateur sont exempts de défauts électriques ou mécaniques tant que l'acheteur initial est propriétaire du ventilateur. Les interrupteurs à chaînette, les interrupteurs inverseurs, les condensateurs et les finis métalliques sont garantis contre les défauts de matériaux ou de fabrication pendant une période d'un an à partir de la date d'achat. Le gauchissement des pales de bois ou de plastique n'est pas couvert par la présente garantie, ni la corrosion ou la détérioration du fini des ventilateurs installés à moins de dix milles d'un bord de mer. Les garanties prolongées pour les produits homologués ENERGY STAR® peuvent s'appliquer.

Lorsqu'ils sont installés correctement et dans des conditions d'utilisation normales, les ventilateurs de plafond Progress Lighting dotés d'une source lumineuse à DEL intégrée sont garantis contre les défauts de matériaux et de fabrication causant le non fonctionnement de la source lumineuse selon les spécifications pendant (i) cinq (5) ans à partir de la date d'achat des modules d'éclairage à DEL et des composants électriques des ventilateurs pour les résidences unifamiliales et (ii) trois (3) ans à partir de la date d'achat des modules d'éclairage à DEL et des composants électriques des ventilateurs pour les résidences multifamiliales et pour les utilisations commerciales. Les ampoules à DEL fournies par Progress Lighting ne sont assorties d'aucune autre garantie que celle du fabricant. Les ampoules autres qu'à DEL ne sont assorties d'aucune garantie.

En fournissant la preuve d'achat, l'acheteur initial peut retourner le ventilateur défectueux à son lieu d'achat pendant les 30 premiers jours afin qu'il soit remplacé. Après 30 jours, l'acheteur initial DOIT communiquer avec Progress Lighting au 864 678-1000 pour la réparation ou le remplacement du ventilateur, ce qui sera déterminé exclusivement par Progress Lighting et constituera le seul et unique recours de l'acheteur.

Main-d'oeuvre et expédition exclus. La présente garantie ne couvre par les coûts et les frais associés à la main-d'oeuvre (y compris, sans s'y limiter, les frais d'électricien) nécessaires à l'installation, au retrait ou au remplacement du ventilateur ou des pièces du ventilateur.

La présente garantie ne s'applique pas en cas de perte ou de dommage découlant (i) de l'usure normale, de l'altération ou d'un usage incorrect, abusif ou négligent ou (ii) d'une installation, d'une utilisation, d'une réparation ou d'un entretien inadéquats par l'acheteur initial ou un tiers, y compris, sans s'y limiter, une tension électrique inadéquate ou une surtension, l'utilisation de pièces ou d'accessoires inadéquats, une réparation non autorisée (effectuée ou tentée) ou l'omission d'entretenir le ventilateur.

LES GARANTIES QUI PRÉCÈDENT ÉNONCENT L'ENTIÈRE RESPONSABILITÉ DE PROGRESS LIGHTING AU CHAPITRE DE LA GARANTIE AINSI QUE LE SEUL ET UNIQUE RECOURS DE L'ACHETEUR LIÉ À CES PRODUITS. PROGRESS LIGHTING N'EST PAS RESPONSABLE DES DOMMAGES (Y COMPRIS LES DOMMAGES INDIRECTS, SPÉCIAUX, ACCESSOIRES OU CONSÉCUTIFS) ATTRIBUABLES À LA DÉFECTUOSITÉ DU PRODUIT, QU'ILS SOIENT LIÉS À UNE VIOLATION DE LA GARANTIE, UNE VIOLATION DU CONTRAT OU AUTRE. LA PRÉSENTE GARANTIE REMPLACE TOUTE AUTRE GARANTIE, EXPRESSE OU IMPLICITE, Y COMPRIS TOUTE GARANTIE DE QUALITÉ MARCHANDE, D'UTILITÉ À UNE FIN PARTICULIÈRE OU D'ABSENCE DE CONTREFAÇON.

Certains États ne permettent pas de limitation à la durée implicite d'une garantie ou d'exclusion ou de limitation des dommages accessoires ou consécutifs. Par conséquent, les limitations ci-dessus pourraient ne pas s'appliquer

Date de l'achat _____

Magasin _____

N° de modèle _____

N° de série _____

N° du fournisseur _____ 109226

CUP 785247242412
 785247240845



Règles de sécurité.....	1.
Déballer votre ventilateur.....	2.
Installation du ventilateur.....	3.
Fixation des pales du ventilateur.....	6.
Installation de la couverture décorative.....	7.
Le fonctionnement de votre transmetteur.....	8.
Entretien du ventilateur.....	10.
Recherche des pannes.....	11.
Spécifications.....	12.

Table des matières

1. Pour réduire les risques de décharge électrique, s'assurer que l'électricité est coupée au disjoncteur ou au boîtier de fusibles avant de commencer.
2. Tous les câblages doivent se conformer au Code National de électricité ét aux normes électriques locales. L'installation électrique doit être effectuée par un électricien licencié qualifié.
3. Le boîtier de prise et son support doivent être attachés correctement et capables de supporter fiablement un poids minimum de 15.8 kg (35 livres). Utiliser seulement les boîtiers de prise homologués par l'UL et portant l'étiquette "POUR LE SUPPORT DE VENTILATEUR".
4. Le ventilateur doit être monté à une **hauteur minimum de 2.1m (7 pieds)** entre le bord de fuite des ailettes et le sol.
5. Éviter de placer des objets en travers des ailettes.
6. Pour éviter les blessures ou les dommages du ventilateur et autres articles, faire attention en travaillant sur le ventilateur ou en le nettoyant.
7. Ne pas utiliser d'eau ou de détergent pour nettoyer le ventilateur ou ses ailettes. Un chiffon de poussière sec ou un chiffon légèrement humide suffit pour la plupart des nettoyages.
8. Après le branchement électrique, les épissures de conducteurs doivent être orientées vers le haut et poussées soigneusement dans le boîtier de prise. Les fils doivent être éloignés les uns des autres, et le conducteur mis à la terre et le conducteur de mise à la terre de l'appareil doivent être placés sur un côté du boîtier de prise.
9. Toutes les vis de réglage doivent être vérifiées et resserrées si nécessaire avant l'installation.
10. Adapté pour une utilisation avec la commande de vitesse à l'état solide.

AVERTISSEMENT

POUR RÉDUIRE LES RISQUES DE BLESSURE, NE PLIEZ PAS LES SUPPORTS DE PALE (AUSSI APPELÉS BRIDES) PENDANT L'INSTALLATION DES CROCHETS, L'ÉQUILIBRAGE DES PALES OU LE NETTOYAGE DU VENTILATEUR.

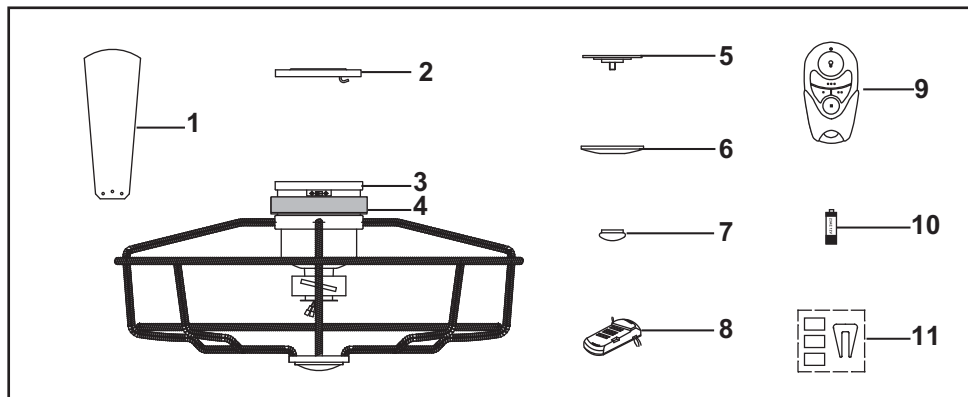
AVERTISSEMENT

AFIN DE RÉDUIRE LE RISQUE D'INCENDIE, DE DÉCHARGE ÉLECTRIQUE, DE BLESSURE CORPORELLE, INSTALLER À UNE BOÎTE DE SORTIE CAPABLE DE « SOUTENIR UN VENTILATEUR DE 15,8 KG (35 LB) OU MOINS » ET UTILISER LES VIS D'INSTALLATION COMPRISSES AVEC LA BOÎTE DE SORTIE. LA PLUPART DES BOÎTES DE SORTIE UTILISÉES POUR SOUTENIR LES LUMINAIRES SONT INADAPTÉES AU SOUTIEN D'UN VENTILATEUR ET POURRAIENT EXIGER UN REMPLACEMENT. À CAUSE DE L'INSTALLATION COMPLEXE DE CE VENTILATEUR, NOUS RECOMMANDONS LES SERVICES D'UN MAÎTRE ÉLECTRICIEN.

REMARQUE

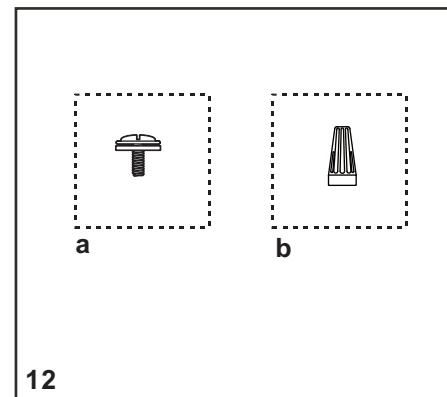
LIRE ET CONSERVER CES INSTRUCTIONS

1. Règles de sécurité



Déballer votre ventilateur et vérifiez le contenu de l'emballage. Vous devriez trouver les éléments suivants:

- | | |
|--------------------------|--|
| 1. Ensemble de lames (4) | 7. Écrou |
| 2. Support de montage | 8. Récepteur avec 6 écrous de plastique |
| 3. Fan motor assembly | 9. Transmetteur + support + 2 vis de montage |
| 4. Anneau décoratif | 10. Pile de 12V |
| 5. Couverture décorative | 11. Kit de balancement |
| 6. Casquette décorative | |



12

12. Desserrez les parties contenus dans un sac :

a. Matériel de fixation de pales

(13 vis, 13 rondelles en fibre)

b. Matériel de montage

Connecteurs de fil en plastique (3Pcs.)

Déballer votre ventilateur 2.

Installation Votre Ventilateur

Outils Nécessaires

Tournevis Phillips, tournevis à lame plate, clé réglable, marchepied et couteau à fil.



Options de Montage

S'il n'y a pas de boîte de connexion, alors, lisez les instructions suivantes. Coupez l'alimentation en retirant les fusibles ou en coupant le disjoncteur.

Fixez la boîte de connexion directement sur la structure du bâtiment. Utilisez les matériaux de fixation et matériaux appropriés. La boîte de connexion et son support doivent pouvoir supporter le poids du ventilateur en rotation (au moins 15.9 kg-35 lbs). Utilisez une boîte en métal aux normes cUL. N'utilisez pas de boîte de connexion en plastique.

AVERTISSEMENT

Afin de réduire les risques d'incendie, de décharge électrique ou de blessure, montez le ventilateur sur un boîtier de prise avec une étiquette indiquant sa capacité de supporter un ventilateur et utiliser seulement les deux vis de montage fournies avec la boîte de connexion. La plupart des prises utilisées couramment pour le support d'éclairage ne conviennent pas pour les ventilateurs et peuvent devoir être remplacées. Consultez un electricien qualifié si vous avez des doutes.

Les schéma 1, 2 sont des exemples des différentes façons de monter la boîte de connexion.

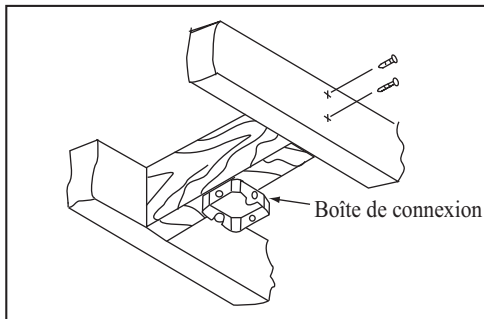


Schéma 1

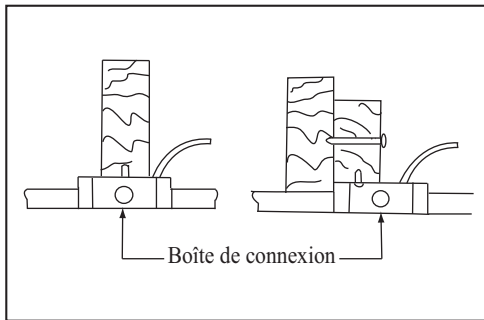


Schéma 2

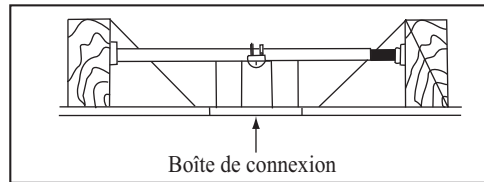


Schéma 3

Pour suspendre le ventilateur à un endroit où il existe déjà une lampe mais pas de poutrelle de plafond, un barreau de suspension peut être nécessaire pour schéma 3 (disponible chez votre détaillant Progress Lighting).

Montage du Ventilateur

N'OUBLIEZ PAS de couper le courant. Veuillez suivre les étapes ci-dessous pour installer votre ventilateur correctement.

1. Attacher le support de fixation à la boîte de sortie de courant au moyen des deux vis et rondelles fournies avec la boîte de sortie de courant. Assurez-vous que le support de fixation est serré et solidement fixé. (Schéma. 4)
2. Retirez la protection inférieure en retirant les quatre vis de la protection du ventilateur. (Schéma. 5)
3. Soulevez le ventilateur en place en accrochant le bloc moteur au crochet du support de fixation au plafond, ce qui permet de le suspendre librement. (Schéma. 6)
4. Fixez solidement le câble de sécurité à la structure du bâtiment à l'aide d'une vis à bois (non compris). (Schéma. 6)

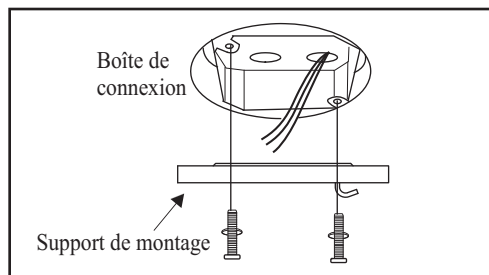


Schéma 4

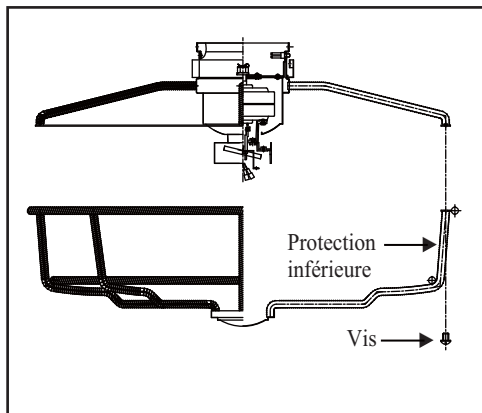


Schéma 5

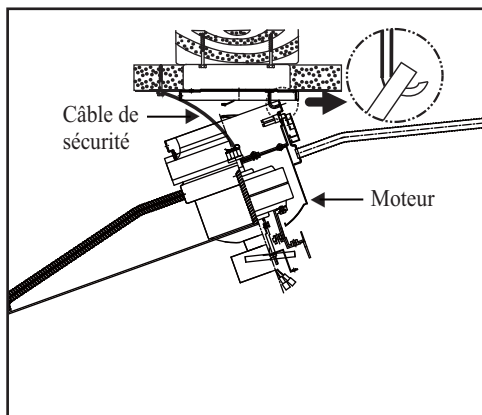


Schéma 6

Effectuer les Connexions Électriques

AVERTISSEMENT

POUR ÉVITER TOUTS RISQUES DE CHOC ÉLECTRIQUES, ASSUREZ-VOUS DE COUPER LE COURANT AU PANNEAU ÉLECTRIQUE PRINCIPAL AVANT D'EFFECTUER LES CONNEXIONS.

REMARQUE

LE VENTILATEUR DOIT ÊTRE INSTALLÉ À UNE DISTANCE MAXIMUM DE 6 MÈTRES (20 PI) DE L'APPAREIL TRANSMETTEUR POUR UNE TRANSMISSION DU SIGNAL ADÉQUATE ENTRE L'APPAREIL ÉMETTEUR ET LE RÉCEPTEUR DU VENTILATEUR.

Si vous n'avez pas de connaissances ni d'expérience approfondies des fils et circuits électriques, faites installer votre ventilateur par un électricien certifié.

Cette télécommande est équipée de 16 combinaisons de codes afin de prévenir l'interférence possible avec d'autres unités fonctionnant avec télécommandes. Les interrupteurs de fréquences de votre récepteur et transmetteur ont été préréglés à l'usine. Veuillez vérifier pour vous assurer que les interrupteurs sur le transmetteur et le récepteur sont bel et bien dans la même position. Tout réglage de combinaison fera fonctionner le ventilateur en autant que le transmetteur et le récepteur sont sur la même position. (Schéma 7)

- (Schéma 8) Connexions électriques du moteur au récepteur: Connectez le fil Noir du ventilateur au fil Noir marqué "TO MOTOR L". Connectez le fil Blanc du ventilateur au fil Blanc marqué "TO MOTOR N" du récepteur. Connectez le fil Bleu du ventilateur au fil Bleu marqué "For Bottom Light" du récepteur. Connectez le fil Orange du ventilateur au fil Orange du récepteur marqué "For Upper Light". Serrez les connexions des fils avec les écrous en plastiques fournis.

PRECAUTION

N'UTILISEZ PAS CE VENTILATEUR AVEC UNE COMMANDE MURALE D'INTENSITÉ D'ÉCLAIRAGE.

AVERTISSEMENT

VÉRIFIEZ QUE TOUTS LES RACCORDEMENTS DE FILS SOIENT BIEN SERRÉS, Y COMPRIS LA MISE À LA TERRE. ASSUREZ-VOUS ÉGALEMENT QU'AUCUN FIL NE SOIT VISIBLE AU NIVEAU DES CAPUCHONS DE CONNEXION, À LA SEULE EXCEPTION DU CONDUCTEUR DE TERRE.

- (Schéma 8) Connexions du récepteur vers l'alimentation électrique de la maison: Raccorder le fil noir (chargé) du plafond au fil noir marqué "AC in L" (AC dans L) du récepteur. Raccorder le fil blanc (neutre) du plafond au fil blanc marqué "AC in N" (AC dans N) du récepteur. Fixer les connexions des fils à l'aide des écrous de retenue en plastique qui sont fournis.

- (Schéma 8) Si votre boîte de connexion possède un fil de mise à la terre (fil de couleur verte ou de cuivre nu), veuillez le raccorder aux fils de mise (à la terre du ventilateur; sinon, raccordez le fil de mise à la terre du support d'accrochage au montage au plafond. Fixer la connexion du fil à l'aide de l'écrou de retenue en plastique qui est fourni. Après avoir connecté les fils, veuillez les séparer afin que les fils vert et blanc soient situés sur un côté de la boîte de connexion et que les fils noir et bleu soient situés sur l'autre côté. Veuillez ramener avec précaution les fils de connexion à l'intérieur de la boîte de connexion.

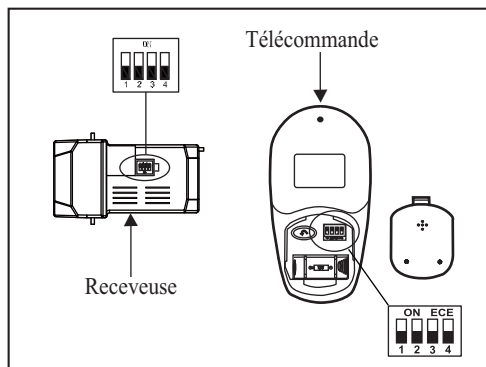


Schéma 7

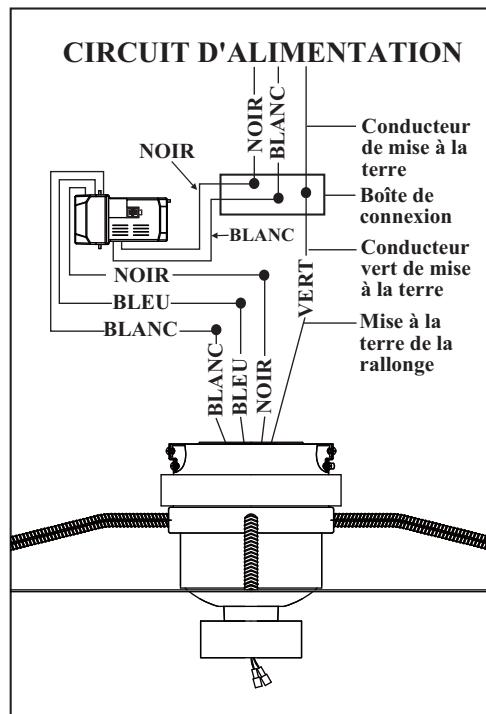


Schéma 8

Achèvement de L'installation du Ventilateur

1. Placez le ventilateur en place par-dessus les quatre supports de montage et fixez-le à l'aide des 4 vis fournies. (Schéma 9)
2. Soulevez la bague décorative contre le support de montage. Les quatre supports situés à l'intérieur de la bague décorative doivent être placés contre les quatre goujons du support de montage. Tournez la bague décorative dans le sens des aiguilles d'une montre jusqu'à ce qu'elle soit bien ajustée. (Schéma 10).

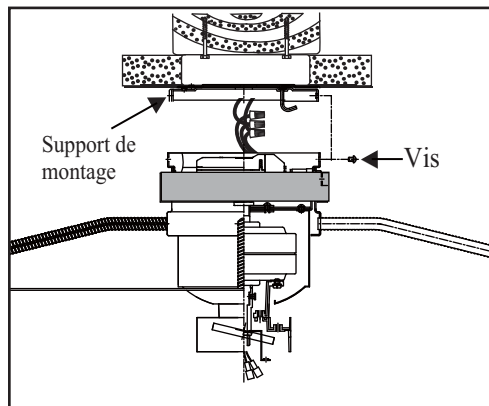


Schéma 9

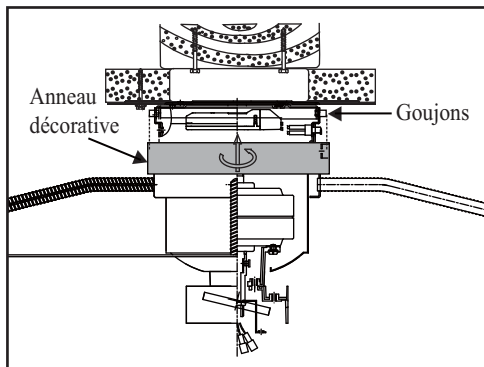


Schéma 10

Fixation des Pales du Ventilateur

1. Insérez la lame dans la fente du porte-lame. Alignez les trous de la pale et du porte-pales du ventilateur et fixez-les avec la vis et la rondelle en fibre. (Schéma 11)
2. Serrer chaque vis fermement en commençant par la vis centrale. Assurez-vous que la lame est droite. Répétez les étapes pour les autres lames.

AVERTISSEMENT : POUR REDUIRE LE RISQUE DE BLESSURE PERSONNELLE, NE PAS PLIER LES SUPPORTS DE PALE DURANT L'INSTALLATION NE PAS BALANCER LES PALES ET NE PAS NETTOYER LE VENTILATEUR DURANT L'INSTALLATION. NE PAS INSERER DE CORPS ETRANGER ENTRE LES PALES DU VENTILATEUR EN MOUVEMENT.

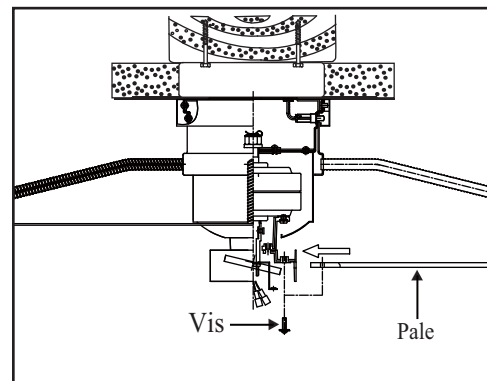


Schéma 11

REMARQUE: Avant de commencer l'installation, débranchez l'alimentation en coupant le disjoncteur ou en retirant le fusible au tableau de fusibles. Eteindre à l'aide de l'interrupteur du ventilateur n'est pas suffisant pour éviter les électrocutions.

1. Retirer une des trois vis de l'anneau de montage et la garder pour utilisation future. Desserrer les deux autres vis. (Ne pas les enlever)
2. Placer les trous principaux sur le couvercle décorative vis-à-vis les deux vis précédemment desserrées sur l'anneau de montage, tourner le couvercle décorative jusqu'à ce qu'il se bloque en place dans la partie étroite des trous principaux. (Schéma 13)
3. Fixer en serrant les deux vis précédemment desserrées ainsi que celle précédemment enlevée.
4. Placez le capuchon décoratif sur le couvercle décoratif et fixez-le avec l'écrou fourni.
5. Réinstallez la protection inférieure sur la protection du ventilateur.

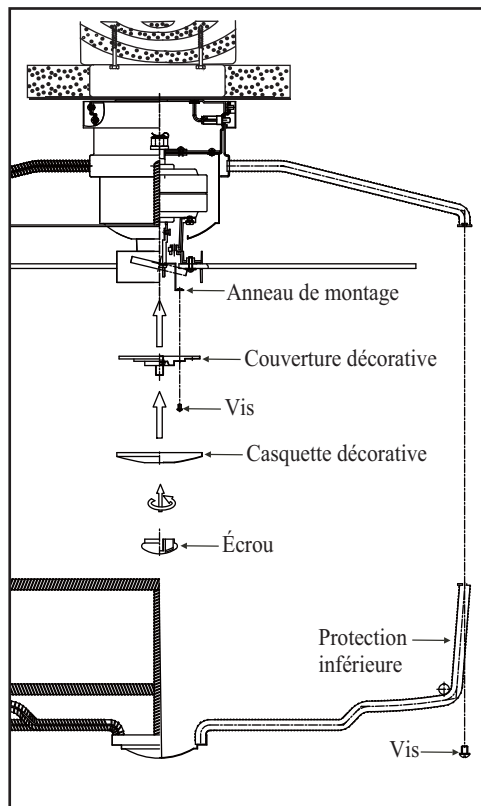


Schéma 13

Instalación de la Bateria

Coloque 12V bateria (incluidas). Para evitar estropeos del transmisor, exteiga la bateria cuando esté no se usa por periodo relativamente largo. (Schéma 14)

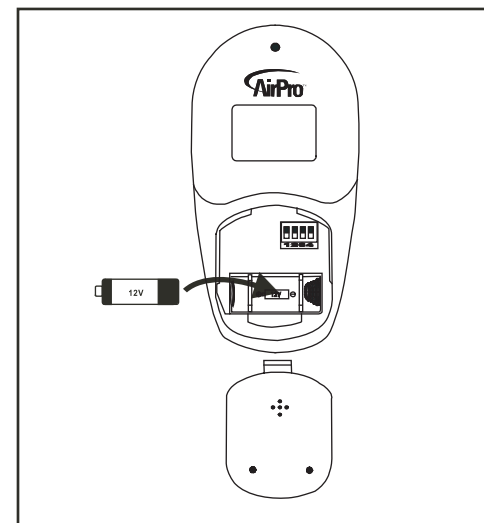


Schéma 14


7. Installation de la couverture décorative

Remettez le courant au ventilateur du plafond et testez son bon fonctionnement.

1. Boutons ●, ●● et ●●● :

Ces trois boutons sont utilisés pour régler la vitesse du ventilateur comme suit :

- = Vitesse faible
- = Vitesse moyenne
- = Vitesse élevée

3. Le bouton  **allume et éteint** la lampe supérieure et commande aussi la luminosité. Appuyez et relâchez le bouton pour **allumer** ou **éteindre** la lampe. Appuyez sur le bouton et maintenez-le enfoncé pour régler la luminosité désirée. La touche de la lampe a une reprise automatique, elle restera sur la même luminosité que lorsqu'elle a été éteinte la dernière fois.

2. Bouton ■ : Ce bouton éteint le ventilateur.

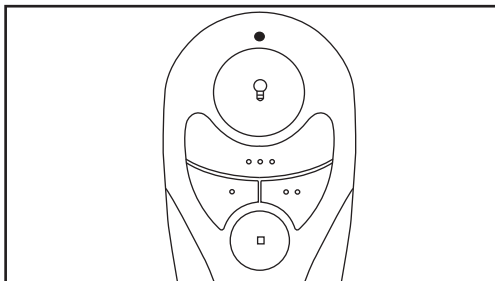


Schéma 15

Les réglages de vitesse pour les températures chaudes et froides dépendent de plusieurs facteurs tels que la taille de la pièce, la hauteur du plafond, le nombre de ventilateurs, u asi sucesivamente.

Le commutateur d'inversion est situé au boîtier supérieur. Faites glisser le commutateur sur la gauche pour l'utilisation par temps chaud. Faites glisser le commutateur sur la droite pour l'utilisation par temps froid.

REMARQUE

ATTENDRE QUE LE VENTILATEUR SE SOIT ARRÊTÉ POUR CHANGER LA POSITION DU COMMUTATEUR GLISSANT.

Temps chaud - (Sens inverse des aiguilles d'une montre)

Une circulation d'air vers le bas crée un effet rafraîchissant comme montré Schéma 16. Cela vous permet de régler l'air conditionné sur une position moins fraîche sans affecter votre confort.

Temps frais (Sens des aiguilles d'une montre)

Une circulation d'air vers le haut déplace l'air chaud du plafond comme montre Schéma 17. Cela vous permet de régler le chauffage sur une position moins chaude sans affecter votre confort.

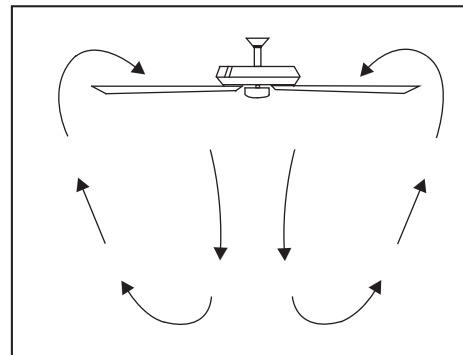


Schéma 16

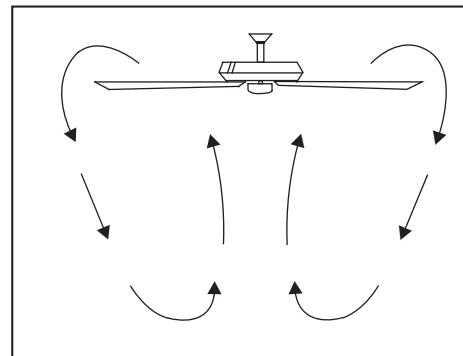


Schéma 17

Le fonctionnement de votre transmetteur 8.

Installer le Support de Télécommande

Fixez le support télécommande à l'aide le vis de montage du support d'émetteur. (Schéma 18)

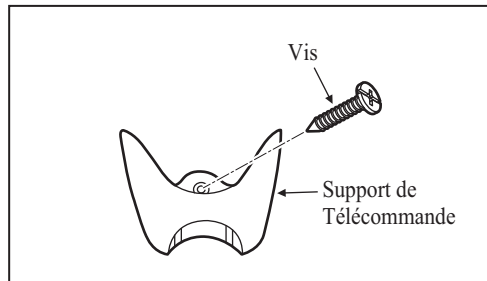


Schéma 18

Comment équilibrer les pales

Toutes les lames sont regroupées par poids. Comme le bois naturel est très dense, le ventilateur peut trembler même si les lames sont légères.

La procédure suivante permet de rectifier le tremblement du ventilateur. Vérifiez après chaque étape.

1. Vérifiez que toutes les lames et les vis de bras de lame soient bien sécurisées.
2. La plupart des problèmes de tremblement du ventilateur sont liés à l'inégalité des lames. Vérifiez ce niveau en sélectionnant un point sur le plafond au-dessus d'une des lames. Mesurez la distance comme indiqué dans le Schéma 19. Tournez le ventilateur jusqu'à ce que la lame suivante soit bien positionnée pour la mesure. Répétez pour chaque lame. Les mesures obtenues doivent être dans une limite de 1/8".
3. Utilisez un kit de balancement de lame si vous constatez encore un tremblement des lames.
4. Si les oscillations des ailettes sont toujours visibles, la permutation de deux ailettes adjacentes (l'une à côté de l'autre) peut redistribuer le poids et pourrait produire un fonctionnement plus uniforme.

AVERTISSEMENT
POUR REDUIRE LE RISQUE DE BLESSURE PERSONNELLE, NE PAS PLIER LES SUPPORTS DE LAME DURANT L'INSTALLATION NE PAS BALANCER LES LAMES ET NE PAS NETTOYER LE VENTILATEUR DURANT L'INSTALLATION. NE PAS INSERER DE CORPS ETRANGER ENTRE LES LAMES DU VENTILATEUR EN MOUVEMENT.

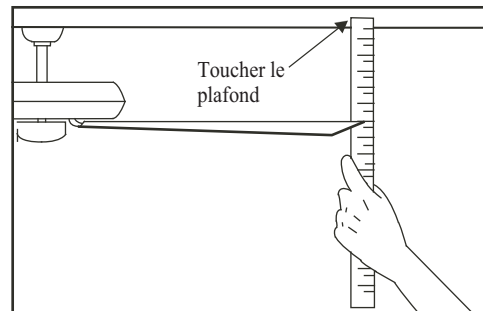


Schéma 19

Voici quelques suggestions pour vous aider à préserver votre ventilateur.

1. À cause du mouvement naturel du ventilateur, certaines connexions peuvent se desserrer. Vérifier les connexions de soutien, les supports et les attaches des ailettes deux fois par an. S'assurer que tout est bien attaché. (Il n'est pas nécessaire de démonter le ventilateur du plafond).
2. Nettoyer le ventilateur régulièrement pour permettre de préserver son aspect neuf au cours des années. Utiliser seulement une brosse douce ou un chiffon sans peluche pour éviter de rayer la finition. Le plaquage est protégé par une laque pour réduire au minimum les décolorations ou la ternissure. Ne pas utiliser d'eau pour le nettoyage. Cela pourrait endommager le moteur ou le bois, ou produire peut-être une décharge électrique.

3. Vous pouvez enduire les ailettes en bois d'une couche légère de cire pour meubles, pour obtenir une protection supplémentaire et une amélioration esthétique. Recouvrir les petites rayures avec une application légère de crème à chaussures.
4. Il n'est pas besoin d'huiler le ventilateur. Le moteur possède des roulements lubrifiés d'une façon permanente.

IMPORTANT

S'assurer que le courant est coupé au panneau électrique avant d'entreprendre toute réparation. Se reporter à la section "Connexions électriques".

Entretien du ventilateur 10.

Problème

Le ventilateur ne démarre pas.

Le ventilateur est bruyant.

Fonctionnement défectueux de la télécommande.

Solution

1. Vérifier les fusibles des circuits ou les disjoncteurs.
 2. Vérifier les connexions des fils d'alimentation du ventilateur et les connexions des fils d'interrupteur dans le boîtier de l'interrupteur. **ATTENTION:** S'assurer que le secteur est coupé.
 3. Vérifiez pour s'assurer que les contacts DIP de l'émetteur et du récepteur sont placés à la même fréquence.
-
1. S'assurer que **toutes** les vis du boîtier du moteur sont serrées.
 2. S'assurer que les vis qui attachent le support d'ailette de ventilateur au moyeu du moteur sont serrées.
 3. S'assurer que les connexions d'écrou à fil ne frottent pas les unes contre les autres ou contre la paroi interne du boîtier d'interrupteur. **ATTENTION:** S'assurer que le secteur est coupé.
 4. Permettre le rodage pendant 24 heures. La plupart des bruits associés à un ventilateur neuf disparaissent au bout de cette période.
 5. Si vous utilisez une option de kit de lampe de ventilateur de plafond, s'assurer que les vis qui attachent les pièces en verre sont serrées. Vérifier que l'ampoule électrique est aussi attachée.
 6. Certains moteurs de ventilateur sont sensibles aux signaux provenant des contrôles de vitesse variable à transistors. Si ce type de contrôle est installé, choisir et installer un autre type de contrôle.
 7. S'assurer que la partie supérieure du dôme est à une petite distance du plafond. **Elle ne doit pas toucher le plafond.**
-
1. Ne pas raccorder le ventilateur à une commande de vitesse variable murale (s)
 2. Assurez-vous d'avoir configuré correctement le commutateur dip.

11. Recherche des pannes

TAILLE DU VENTILATEUR	VITESSE	VOLTS	AMPERES	WATTS	OURS/ MINUE	CFM	POIDS NET	POIDS BRUT	C.F.
26" (66 cm)	Petite	120	0.204	12.93	174	790.98	32.84 lbs	47.48 lbs	13.04'
	Grande	120	0.36	42.89	365	1766.21			

Ces valeurs sont approchées. Elles ne comprennent pas les intensités de courant et les puissances utilisées par le kit de lampe.

©2019 Progress Lighting, Inc.
701 Millennium Blvd
Greenville, SC 29607
All Rights Reserved

Spécifications 12.

Manual de Instalación del Ventilador de Techo



Garantía limitada de por vida

Se garantiza al comprador original que los motores de los ventiladores de Progress Lighting no presentan defectos mecánicos o eléctricos por el tiempo durante el cual el comprador original sea dueño del ventilador. Los interruptores de cadena, interruptores de reversa, capacitores y acabados de metal cuentan con garantía libre de defectos de materiales o mano de obra por 1 año a partir de la fecha de compra. La deformación de las aspas de plástico o madera no está cubierta por esta garantía, así como tampoco la corrosión y/o el deterioro de los acabados en el caso de los ventiladores instalados dentro de un radio de 10 millas (16 km) de la costa del mar. Pueden corresponder garantías extendidas para los productos que cumplen con los requisitos de ENERGY STAR®.

Los ventiladores de techo Progress Lighting con fuentes de iluminación LED incorporadas, cuando se los instala debidamente y bajo condiciones de uso normales, están garantizados como libres de defectos de materiales y mano de obra que hacen que las fuentes de iluminación dejen de funcionar de acuerdo con las especificaciones durante (i) cinco (5) años a partir de la fecha de compra para los módulos de luces LED y los componentes eléctricos para los ventiladores utilizados en residencias unifamiliares, y (ii) tres (3) años a partir de la fecha de compra para los módulos de luces LED y los componentes eléctricos para los ventiladores utilizados en aplicaciones comerciales o multifamiliares. Los focos LED suministrados por Progress Lighting no cuentan con garantía más allá de la garantía del fabricante. Los focos que no son LED no cuentan con garantía.

Con comprobante de compra, el comprador original podrá devolver el ventilador defectuoso al lugar de compra, durante los primeros 30 días, para su reemplazo. Pasados los 30 días, el comprador original DEBE contactarse con Progress Lighting al (864) 678-1000 para la reparación o el reemplazo, que se determinará a criterio exclusivo de Progress Lighting y será la compensación única y exclusiva del comprador.

Se excluye la mano de obra y el envío. Esta garantía no cubre los costos o cargos asociados con la mano de obra (incluidos, entre otros, los honorarios del electricista) necesaria para instalar, quitar o reemplazar el ventilador o cualquiera de sus partes.

Esta garantía no se aplicará a ninguna pérdida o daño que resulte del (i) uso y desgaste normales o de una alteración, uso indebido o descuido, o de la (ii) instalación, operación, reparación o mantenimiento inadecuados por parte del comprador original o de un tercero, incluidos, entre otros, suministro de voltaje inadecuado o sobrecarga eléctrica, uso de piezas o accesorios inadecuados, reparación no autorizada (realizada o que se intentó realizar) o falta de mantenimiento al ventilador.

LAS GARANTÍAS PRECEDENTES ESTABLECEN LA OBLIGACIÓN DE GARANTÍA COMPLETA DE PROGRESS LIGHTING Y LA COMPENSACIÓN ÚNICA Y EXCLUSIVA DEL COMPRADOR ORIGINAL EN RELACIÓN CON DICHS PRODUCTOS. PROGRESS LIGHTING NO ASUME RESPONSABILIDAD POR DAÑOS (INCLUIDOS INDIRECTOS, ESPECIALES, INCIDENTALES O EMERGENTES), DEBIDO A FALLAS DEL PRODUCTO, YA SEA QUE SURJAN DEL INCUMPLIMIENTO DE LA GARANTÍA, DEL INCUMPLIMIENTO CONTRACTUAL O DE OTRO MODO. ESTA GARANTÍA REEMPLAZA CUALQUIER OTRA GARANTÍA, YA SEA EXPRESA O IMPLÍCITA, INCLUSO AQUELLAS DE COMERCIABILIDAD, IDONEIDAD PARA UN FIN EN PARTICULAR O NO INCUMPLIMIENTO.

Algunos estados no permiten limitaciones sobre la duración de una garantía implícita o la exclusión de limitaciones de daños incidentales o emergentes, de modo que las limitaciones y exclusiones anteriores tal vez no se apliquen a su caso. La presente garantía le otorga derechos específicos y es posible que usted tenga otros derechos que varían según el estado.

Fecha de compra _____

Lugar de compra _____

N de modelo. _____

N de serie _____

Numero de vendedor 109226

785247242412

UPC 785247240845



Normas de seguridad	1.
Cómo desembalar el ventilador	2.
Cómo instalar el ventilador	3.
Instalación del cubierta decorativa.....	7.
Operando su transmisor	8.
Cómo cuidar del ventilador	10.
Resolución de problemas	11.
Especificaciones	12.

Tabla de Contenido

1. Para disminuir el riesgo de descarga eléctrica, asegúrate de que la electricidad ha sido apagada en el cortacircuitos o la caja de fusibles antes de comenzar la instalación.
2. Todo el cableado debe cumplir con el Código Nacional de Electricidad "ANSI/NFPA 70-1999" y con los códigos locales de electricidad. La instalación eléctrica debe ser hecha por un electricista certificado y calificado.
3. La caja eléctrica y estructura de soporte deben montarse de forma segura y tener capacidad para sostener de manera confiable un mínimo de 35 libras (15,9 kg) o menos. Usa solamente cajas eléctricas aprobadas por cUL marcadas como "PARA SOPORTE DE VENTILADOR".
4. El ventilador debe ir montado con un mínimo de 7 pies (2,1m) de separación entre el borde trasero de las aspas y el piso.
5. Evita colocar objetos en la trayectoria de las aspas.
6. Para evitar lesiones físicas o daños al ventilador y otros artículos, ten cuidado al limpiar o trabajar cerca del ventilador.
7. No usar agua o detergentes al limpiar el ventilador o las aspas. Para la limpieza, será adecuado un paño seco para quitar el polvo o ligeramente humedecido.
8. Después de concluir con las conexiones eléctricas, debes voltear los conductores empalmados hacia arriba y empujarlos con cuidado hacia dentro de la caja eléctrica. Los cables deben estar separados, con el cable a tierra y el conductor a tierra del equipo hacia uno de los lados de la caja eléctrica y el conductor sin conexión a tierra hacia el lado opuesto.
9. Todos los tornillos colocados se deben verificar y ajustar donde sea necesario antes de la instalación.
10. Adecuado para uso con de control de velocidad de estado solido.

ADVERTENCIA

PARA REDUCIR EL RIESGO DE LESIONES PERSONALES, NO DOBLAR LOS SOPORTES DE LAS ASPAS (TAMBIEN LLAMADOS "REBORDES" DURANTE EL MONTAJE O DESPUES DE LA INSTALACIÓN NO INSERTAR OBJETOS EN LA TRAYECTORIA DE LAS ASPAS.

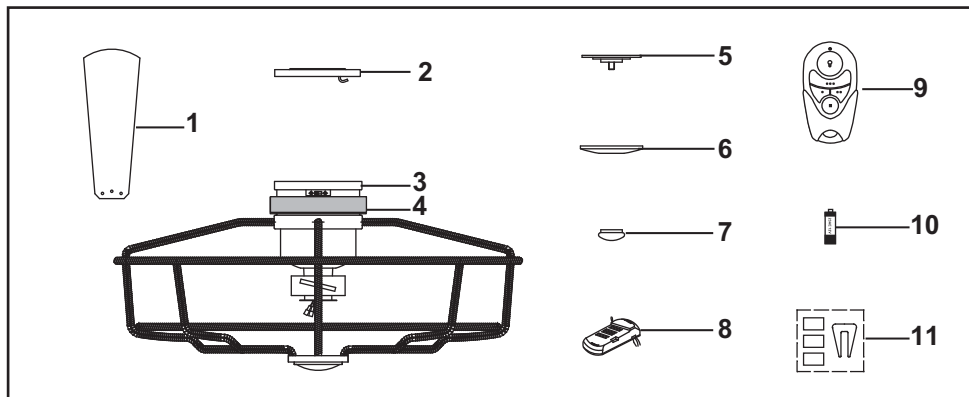
ADVERTENCIA

PARA REDUCIR EL RIESGO DE INCENDIO, DESCARGA ELÉCTRICA O LESIÓN PERSONAL, MONTE A UNA CAJA DISTRIBUCIÓN MARCADA COMO "ACEPTABLE PARA SOPORTE DE UN VENTILADOR DE 22.7KG (50 LBS.) DE PESO O MENOS" Y MONTE CON LOS TORNILLOS PROPORCIONADOS CON LA CAJA DE DISTRIBUCIÓN. LA MAYORÍA DE LAS CAJAS DE CONEXIÓN UTILIZADAS PARA SOPORTAR ARTEFACTOS DE ILUMINACIÓN, NO SON APTAS PARA COLGAR UN VENTILADOR Y PODRÍA SER NECESARIO CAMBIARLAS. DEBIDO A LA COMPLEJIDAD DE LA INSTALACIÓN DE ESTE VENTILADOR, SE RECOMIENDA ENCARECIDAMENTE QUE LA REALICE UN ELECTRICISTA LICENCIADO CUALIFICADO.

NOTA

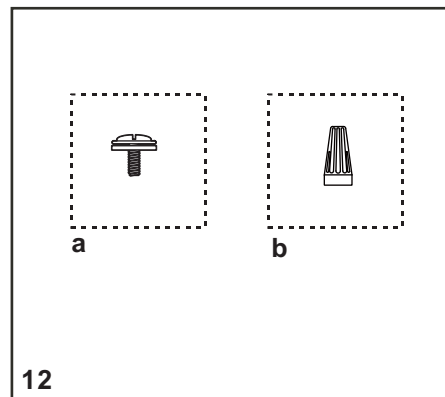
LEA Y MANTENER ESTAS INSTRUCCIONES

1. Normas de seguridad



Desembalar el ventilador y revisar el contenido. Debe tener los siguientes elementos:

- | | |
|-----------------------------|--|
| 1. Aspas del ventilador (4) | 7. Tuerca |
| 2. Abrazadera de montaje | 8. Receptor + 6 tuercas de cable |
| 3. Motor del ventilador | 9. Transmisor + soporte + 2 tornillos de montaje |
| 4. Anillo decorativo | 10. Batería de 12V |
| 5. Cubierta decorativa | 11. Juego de balanceo |
| 6. Tapa decorativa | |



12

12. Dos bolsas de piezas pequeñas:

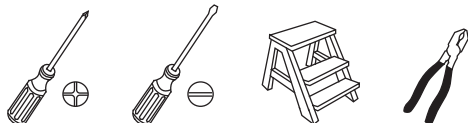
- a. Piezas de fijación de las aspas**
(13 Tornillos, 13 Arandelas de fibra)
- b. Piezas de montaje**
(3 conectores plásticos para cables eléctricos).

Cómo desembalar el ventilador 2.

Cómo Instalar el Ventilador

Herramienta Necesarias

Destornillador Phillips, destornillador normal, escalera de tijera y cortadoras de alambre.



Opciones de Instalación

Si no hay una caja con registro cUL de montaje existente, sírvase leer las siguientes instrucciones. Desconectar el suministro de electricidad removiendo los fusibles o desactivando los cortacircuitos.

Asegurar la caja de distribución directamente a la estructura del edificio. Usar los sujetadores y materiales de construcción apropiados. La caja de distribución y su soporte deben ser capaces de soportar completamente el peso en movimiento del ventilador (al menos 35 libras o 15.9 kg) No usar cajas de distribución plásticas.

ADVERTENCIA

Para reducir el riesgo de daños personales, utilice sólo los dos tornillos de acero (y arandelas de bloqueo) suministrados en la caja del enchufe para el montaje en ésta. la mayoría de cajas de enchufes usadas comúnmente para instalaciones de luz no sirven para soportar un ventilador y puede que necesite cambiarlas; si tiene dudas, consulte con un electricista calificado.

Las figuras 1&2 son ejemplos de diferentes maneras de montar la caja de distribución.

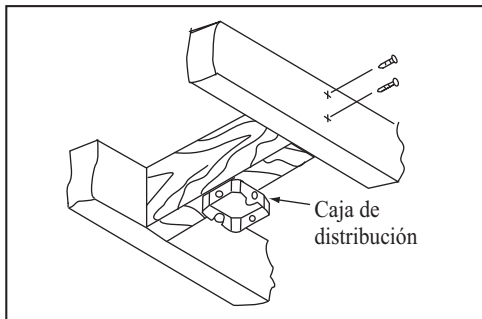


Figura 1

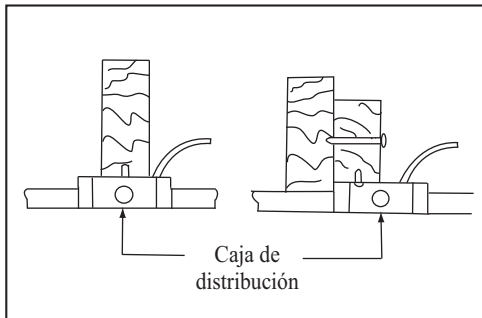


Figura 2

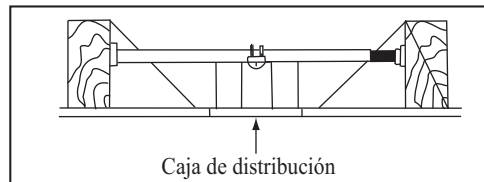


Figura 3

Para colgar su ventilador donde ya existe una instalación pero no una viga de techo, es posible que se necesite una instalación de barra de suspensión como se muestra la Figura 3 (disponible en su distribuidor Progress Lighting).

Colgando el Ventilador

RECORDAR: Apagar la energía eléctrica en el circuito principal o en la caja de fusibles.

1. Asegure la abrazadera de montaje a la caja de distribución con los dos tornillos y las dos arandelas que vienen con el ventilador, asegurándose que la abrazadera este apretada y segura (Fig. 4).
2. Retire la protección inferior quitando los cuatro tornillos de la protección del ventilador. (Fig. 5)
3. Levante el ventilador y cuelgelo del gancho de la abrazadera de montaje y deje que cuelgue libremente (Fig. 6).
4. Asegure el cable de seguridad a la estructura del edificio con un tornillo para madera. (no incluido) (Fig. 6)

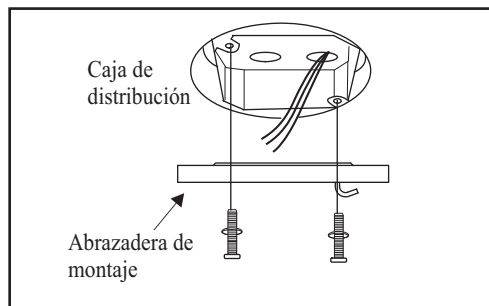


Figura 4

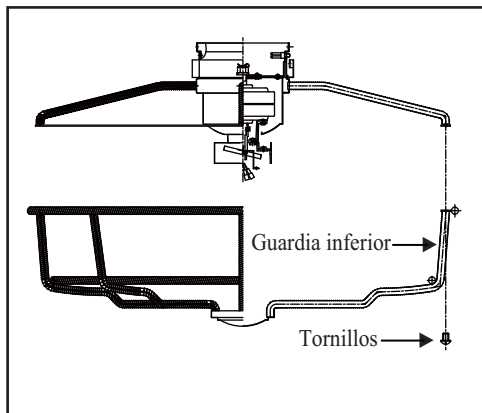


Figura 5

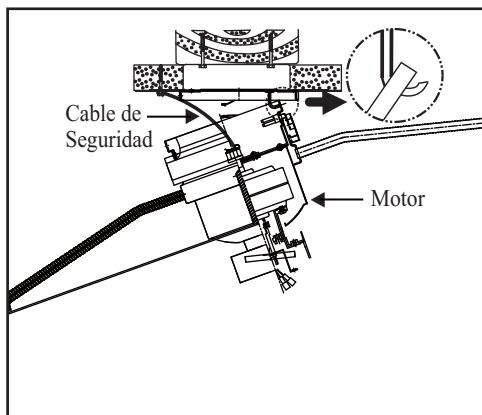


Figura 6

Realice las Conexiones Eléctricas

ADVERTENCIA

PARA EVITAR POSIBLES DESCARGAS ELÉCTRICAS, ASEGURESE DE QUE LA ELÉCTRICIDAD DESCONECTADA ANTES DE REALIZAR EL CABLEADO.

NOTA

NOTA: EL VENTILADOR DEBE INSTALARSE A UNA DISTANCIA MÁXIMA DE 6,1 m DE LA UNIDAD TRANSMISORA PARA OBTENER UNA SEÑAL DE TRANSMISIÓN APROPIADA ENTRE LA UNIDAD TRANSMISORA Y LA UNIDAD RECEPTORA DEL VENTILADOR.

Si no tiene los conocimientos necesarios sobre instalaciones eléctricas o experiencia, deje que sea un electricista profesional quien realice la instalación.

Esta unidad con control a distancia está equipada con 16 combinaciones de códigos diferentes para evitar posibles interferencias de otras unidades a distancia. Los interruptores de frecuencia del receptor y del transmisor están preestablecidos desde fábrica. Por favor, compruebe que los interruptores del transmisor y del receptor estén en la misma posición. El ventilador funcionará con cualquier combinación siempre que el transmisor y el receptor estén en la misma posición. (Figura 7)

1. (Figura 8) Conexiones del motor al receptor: Conecte el alambre negro del abanico a el alambre negro marcado "al Motor L" del receptor. Conecte el alambre blanco del abanico a el alambre blanco marcado "al Motor N" del receptor. Conecte el alambre azul del abanico a el alambre azul marcado "Para la Luce" del receptor. Asegure las conexiones con los conectores de alambres proveidos.

2. (Figura 8) Conexiones del receptor a los alambres alimentación: Conecte el alambre negro (corriente) de la caja de salida a el alambre negro marcado "AC in L" del receptor. Conecte el alambre blanco (neutral) de la caja de salida a el alambre blanco marcado "AC in N" del receptor. Asegure las conexiones con los conectores de alambres proveidos.

3. (Figura 8) Si la Caja de salida tiene un alambre a tierra (verde o cobre) conectelo a los alambres verdes de tierra de las abrazaderas de montar y colgar; y si no, conecte los alambres verde de tierra de las abrazaderas de montar y colgar solos. Asegure la conexión con un conector de alambres, sepárelos para que los alambres verdes y blancos queden a un lado y los alambres negros y blancos del otro lado.

PRECAUCION

NO UTILIZAR REGULADOR DE VOLTAJE DE ILUMINACIÓN PARA PARED.

ADVERTENCIA

COMPRUEBE SI TODAS LAS CONEXIONES ESTÁN SEGURAS, INCLUYENDO LA DE TIERRA, Y QUE NO HAYA CABLES PELADOS EXPUESTOS A LAS TUERCAS DE LOS CABLES, EXCEPTO EL CABLE DE TIERRA.

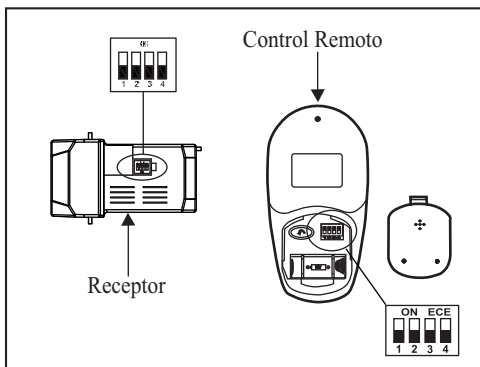


Figura 7

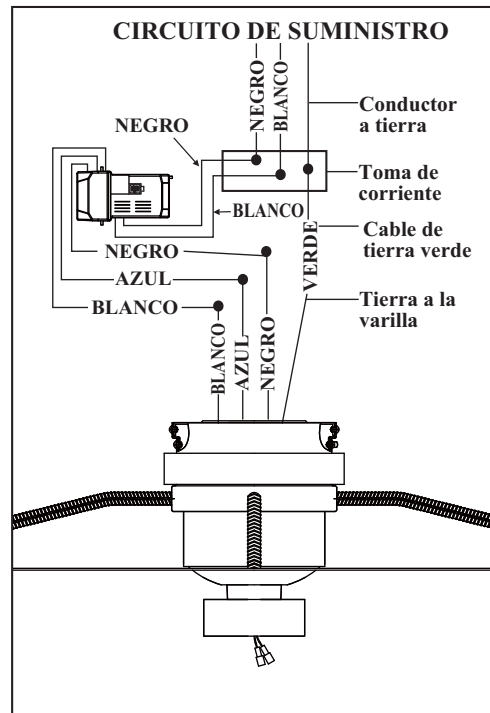


Figura 8

Finalizar la Instalación del Ventilador

1. Coloque el ventilador en su posición sobre las cuatro espigas de montaje y asegúrelo con los 4 tornillos provistos. (Fig. 9).
2. Levante el anillo decorativo para arriba contra el abrazadera de montaje, las cuatro ayudas dentro de la anillo decorativo se deben poner contra los cuatro pernos prisioneros en el abrazadera de montaje, tuerza la anillo decorativo a la derecha hasta que comodamente (Fig. 10).

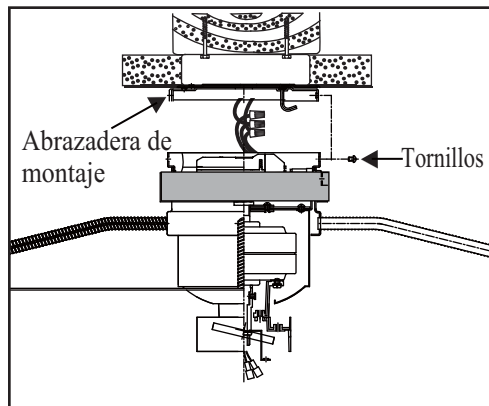


Figura 9

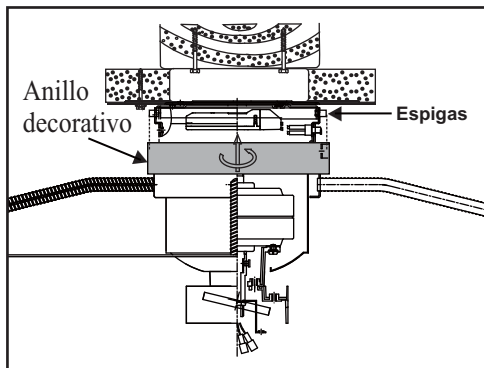


Figura 10

Instalación de las Aspas

1. Introduzca las aspas a través de las ranuras de la soporte del aspas. Alinee los barrenos de las aspas y los barrenos en el soporte del aspas y fíjelos en su lugar respectivo con los tornillos y arandelas de fibra proporcionados. (Fig. 11)
2. Apriete todos los tornillos firmemente empezando con el tornillo cortador. Asegúrate de que la aspa esté recta. Repita los pasos para las palas restantes.

ADVERTENCIA: PARA REDUIR RIESGO DE LESIONES PERSONALES. NO DOBLAR LOS SUJETADORES DE ASPAS MIENTRAS SE REALIZA LA INSTALACIÓN. EL ASPAS O SU LIMPIEZA. NO INSERTAR BALANCEO DE LAS OBJETOS EXTRANOS ENTRE LAS ASPAS DEL VENTILADOR EN ROTACIÓN.

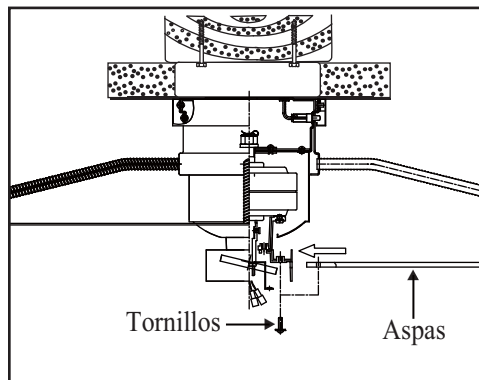


Figura 11

NOTA: Antes de comenzar con la instalación, desconecte la alimentación apagando el circuito del automático o quitando el fusible de la caja de fusibles. Para evitar descargas eléctricas, no basta con apagar la alimentación utilizando el interruptor del ventilador.

1. Quite 1 de los 3 tornillos del anillo de montaje y afloje los otros 2 tornillos. (No los quite)
2. Coloque los agujeros de la cubierta decorativa en los 2 tornillos previamente aflojados del anillo de montaje, gire la cubierta decorativa hasta que quede fijo en su lugar en la parte estrecha de los agujeros.
3. Asegúrela apretando los 2 tornillos aflojados y también el que quitó anteriormente. (Fig. 16)
4. Coloque la tapa decorativa en la cubierta decorativa y asegúrela con la tuerca provista.
5. Vuelva a instalar el protector inferior en el protector del ventilador.

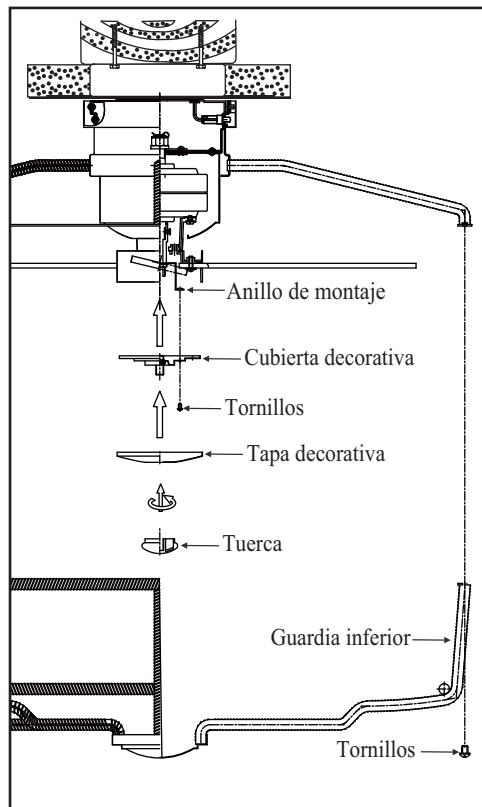


Figura 13

Instalación de la Batería

Instala una batería de 12 V (incluida) en el control remoto. Para prevenir daños al control remoto, saca la batería si no va a usarse por largo tiempo. (Figura 14)

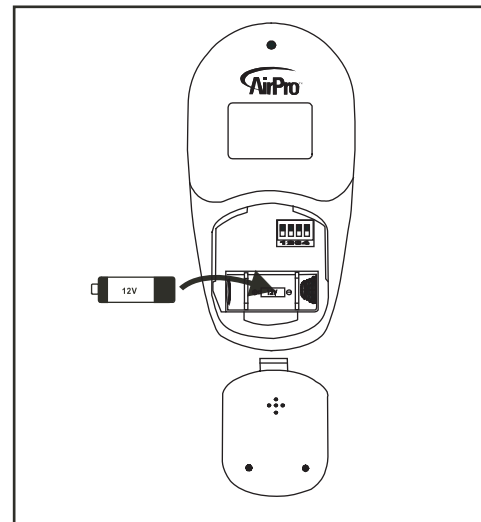


Figura 14

7. Instalación de la cubierta decorativa

Conecte la electricidad a el ventilador y confirme que opera debidamente.

1. Los botones ●, ●●, ●●●: Estos tres botones son usados para seleccionar las velocidades del ventilador de la manera siguiente:

- = Velocidad Alta
- = Velocidad Mediana
- = Velocidad Baja

2. El boton "💡" es para prender y apagar la luz, tambien se usa para controlar la intensidad de la luz. Apriete y sostenga el boton hasta obtener la intensidad de luz deseada. La luz cambiara continuamente entre intensidad y oscuridad mientras que el boton esté presionado. El boton de la luz está equipado para resumir con la misma intensidad de luz que se uso la ultima ves.

3. Boton "■": Esté boton apaga el ventilador.

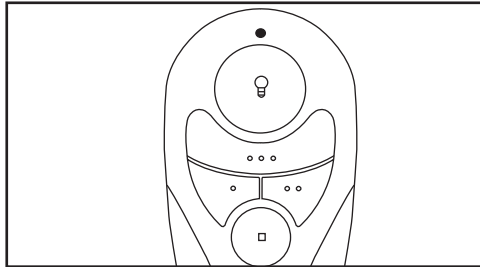


Figura 15

Los ajustes de velocidad para clima caliente o frío dependen de factores como el tamaño del cuarto, la altura del techo, cantidad de ventiladores, etc.

El interruptor de reversa se encuentra en la parte superior de la caja de motor. Deslice el boton hacia la izquierda para operación en clima cálido. Deslice el boton hacia la derecha para operación en clima frío.

NOTA

ESPERE QUE EL VENTILADOR SE DETENGA ANTES DE CAMBIAR LA DIRECCIÓN DE LAS ASPAS.

Clima templado - (sentido contrahorario) el flujo del aire hacia abajo crea un efecto enfriador. (Fig. 16) Esto le permite colocar su aire acondicionado en un lugar más alto sin que afecte a su confort.

Clima frío - (sentido horario) el flujo del aire hacia arriba quita el aire caliente del techo. (Fig. 17) Esto le permite colocar el radiador en un lugar más bajo sin que afecte a su confort.

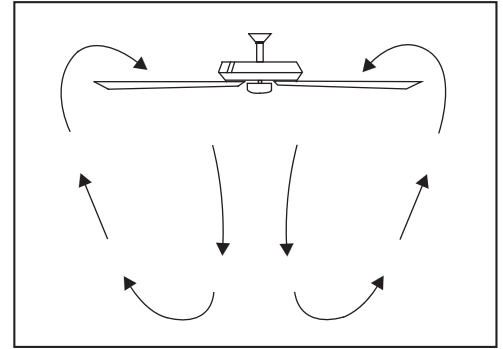


Figura 16

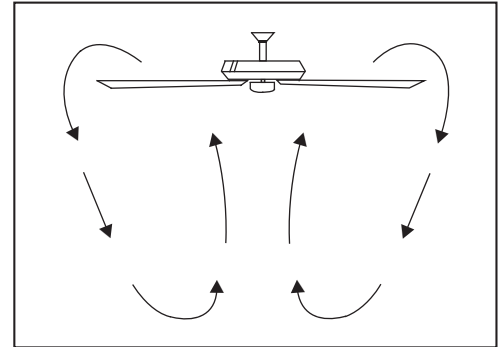


Figura 17

Operando su transmisor 8.

Cómo Instalar el Soporte del Control Remoto

Sujeta el soporte del control remoto tornillos de montaje del soporte del control remoto. (Fig. 18)

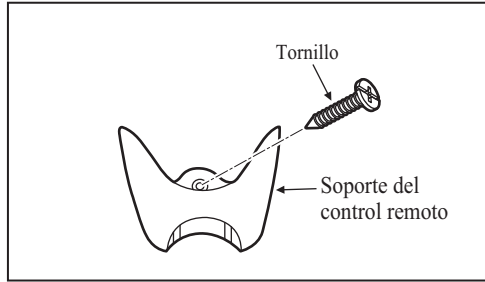


Figura 18

Balaneo de las Aspas

Todas las aspas están agrupadas por peso. Debido a que la desidad de las maderas naturales varía, el ventilador podría oscilar aún cuando el peso de las aspas esté equilibrado.

El siguiente procedimiento debería mayor parte de la oscilación del ventilador. corregir la Verificar después de cada paso.

1. Verificar que todos los tornillos de aspas y de soportes de aspas estén seguros.
2. La mayoría de los problemas de oscilación se originan cuando los niveles de las aspas son desiguales. Revisar esté nivel por medio de seleccionar un punto del techo por encima de la punta de una de las aspas. Medir esta distancia como se muestra en la Figura 19. Rotar el ventilador hasta que la siguiente aspa esté ubicada para medición. procedimiento para cada aspa. Las medi repetir el das hacer fucional deben mantenerse dentro de 1/8 pulgadas (3mm).
3. Usar el juego de balanceo de aspas incluido si aún se puede notar la oscilación.

4. Si la oscilación de las aspas todavía se puede notar, el intercambio de dos aspas adyacentes (lado a lado) puede redistribuir el peso y es posible que resulte en un funcionamiento más uniforme.

ADVERTENCIA
PARA REDUIR RIESGO DE LESIONES PERSONALES. NO DOBLAR LOS SUJETADORES DE ASPAS MIENTRAS SE REALIZA LA INSTALACIÓN. EL BALANCEO DE LAS ASPAS O SU LIMPIEZA. NO INSERTAR OBJETOS EXTRANOS ENTRE LAS ASPAS DEL VENTILADOR EN ROTACIÓN.

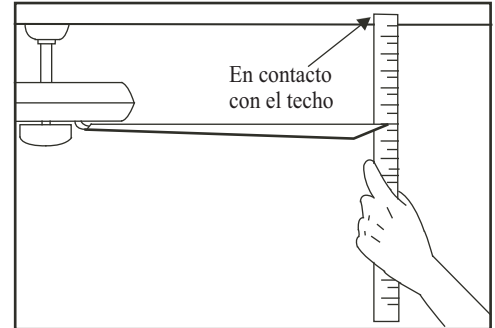


Figura 19

He aquí algunas sugerencias para ayudarle el mantenimiento del ventilador.

1. Debido al movimiento natural del ventilador, algunas conexiones se podrían aflojar. Examinar las conexiones del soporte, soportes, y accesorios de las aspas dos veces al año. Asegurarse de que estén seguros. (No es necesario retirar el ventilador del techo).
2. Limpiar el ventilador periódicamente para ayudar a mantener su apariencia de nuevo con el transcurso del tiempo. Usar solamente un cepillo suave o paño sin hilas para evitar rayar el acabado. El recubrimiento metálico se sella con una laca para minimizar la decoloración o manchado. No usar agua al limpiarlo, madera, o posiblemente causar choque eléctrico.

3. Se puede aplicar una capa ligera de pulidor para muebles a las aspas de madera para brindar protección adicional y realzar su belleza. Cubrir los rayones pequeños con una ligera aplicación de betún para calzado.
4. No hay necesidad de aceitar el ventilador. El motor tiene cojinetes permanentemente lubricados.

ADVERTENCIA
ASEGURARSE DE QUE LA ELECTRICIDAD
ESTÉ DESACTIVADA EN EL TABLERO DE
DISTRIBUCIÓN ELÉCTRICA ANTES DE
INTENTAR CUALQUIER REPARACIÓN
REFERIRSE A LA SECCIÓN "CÓMO
EFECTUAR CONEXIONES ELÉCTRICAS".

Cómo cuidar del ventilador 10.

Problema

Solución

El ventilador no arranca.

1. Revisar los fusibles o interruptores de circuitos.
2. Verificar las conexiones de cables de línea al ventilador y conexiones de cable del interruptor.
PRECAUCIÓN: Asegurarse de que la fuente principal de electricidad esté desactivada.
3. Check to make sure the dip switches from the transmitter and receiver are set to the same frequency.

El ventilador hace mucho ruido.

1. Asegurarse de que todos los tornillos de la cubierta del motor estén ajustados.
2. Asegurarse de que los tornillos que sujetan el soporte de aspas del ventilador al eje del motor estén apretados.
3. Asegurarse de que las conexiones de tuercas para cable no estén rozando unas contra otras o contra la pared interior de la cubierta protectora del interruptor.
PRECAUCIÓN: Asegurarse de que la fuente principal de electricidad esté desactivada.
4. Permitir un período de "desgaste" de 24 horas. La mayoría de los ruidos asociados con un ventilador nuevo desaparecen durante este tiempo.
5. Si se está usando un juego opcional de iluminación para el ventilador de techo, asegurarse de que los tornillos que aseguran el pantalla de luz estén apretados. Asimismo, verificar que la bombilla esté segura.
6. Algunos motores son sensibles a las señales provenientes de controles de velocidad variable de estado sólido. Si tiene instalado este tipo de control, elegir e instalar otro tipo.
7. Asegurarse de que el escudete superior esté a una corta distancia del techo. No debe hacer contacto con el techo.

Fallo del mando a distancia

1. No conecte el ventilador con un control en la pared de velocidad variable (s).
2. Compruebe que el interruptor oculto esté configurado correctamente.

11. Resolución de problemas

Tamaño del Ventilador	Velocidad	Voltios	Amperios	Vatios	RPM	CFM	N.W.	G.W.	C.F.
26" (66 cm)	Baja	120	0.204	12.93	174	790.98	32.84 lbs	47.48 lbs	13.04'
	Alta	120	0.36	42.89	365	1766.21			

Estas son mediciones aproximadas. No incluyen los Amperios y vatios usado por el juego de iluminación.

© 2019 Progress Lighting, Inc.
701 Millennium Blvd.,
Greenville, SC 29607
All Rights Reserved

Especificaciones 12.