

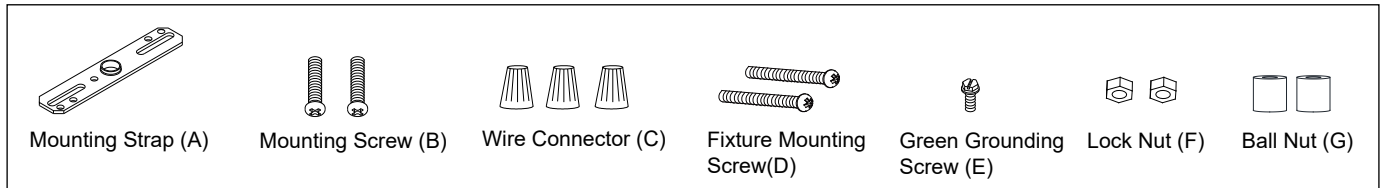
ASSEMBLY AND INSTALLATION INSTRUCTIONS

T0450

WARNING: TO AVOID RISK OF ELECTRICAL SHOCK, BE SURE TO SHUT OFF POWER WHILE INSTALLING OR SERVICING THIS FIXTURE.

NOTE: 1. Before installing, consult local electrical codes for wiring and grounding requirements.
2. READ AND SAVE THESE INSTRUCTIONS.

Hardware Package (included):



Installation Steps

Turn off the power at fuse or circuit box.

1. Attach two fixture mounting screws (D) to the mounting strap (A), and then secure it with two lock nuts (F). Adjust the length of the fixture mounting screws (D) if necessary.
2. Attach the mounting strap (A) to the outlet box using two mounting screws (B).
3. Pull out the outlet wires and the house grounding wire from the outlet box. Make wire connections using the wire connectors (C):
 - The black (hot) wire from the fixture to the black (hot) wire from the power source.
 - The white (neutral) wire from the fixture to the white (neutral) wire from the power source.
 - Attach the fixture grounding wire to the mounting strap (A) with the green grounding screw (E). Then connect it to the house grounding wire with the wire connector (C).
 Carefully put the wires back into the outlet box.
4. Attach the pan to the mounting strap (A) by inserting two fixture mounting screw (D) heads into the hole slots, and rotate the pan until it locks in place. Then secure the ball nuts (G). (See Fig.1)

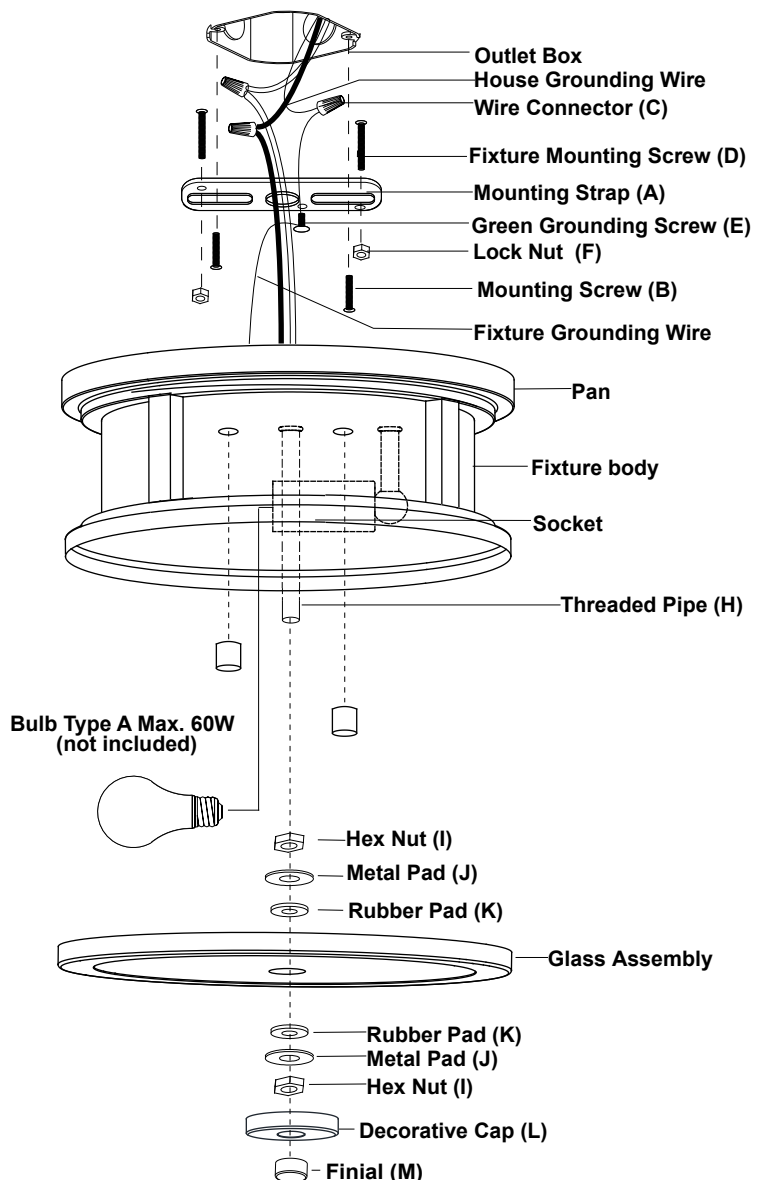
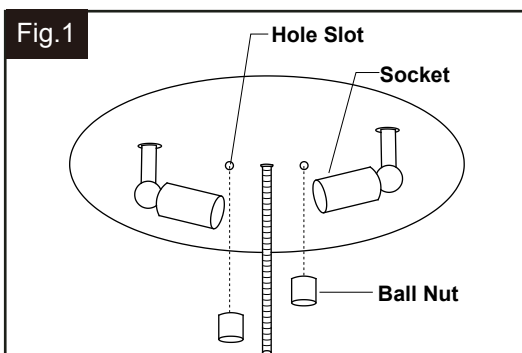


Fig.1



5. Install bulbs (not included). See relamping label at socket area or packaging for maximum allowed wattage.
6. Slip the glass assembly up through threaded pipe (H) and secure it with a hex nut (I) ,metal pad (J) , rubber pad (K), Slide the decorative cap (L) up to glass assembly, then with the rubber pad (K), metal pad (J), hex nut (I), end cap and secure it with the finial (M).

Turn on the power at fuse or circuit box.

The following parts are available for re-order if damaged or missing.

Spare Parts List:

